

# TriCleat™

## CONTACT

Office: 888.973.7600

1100 Ashwood Drive  
Suite 1102  
Canonsburg, PA 15317

[www.clward.com](http://www.clward.com)

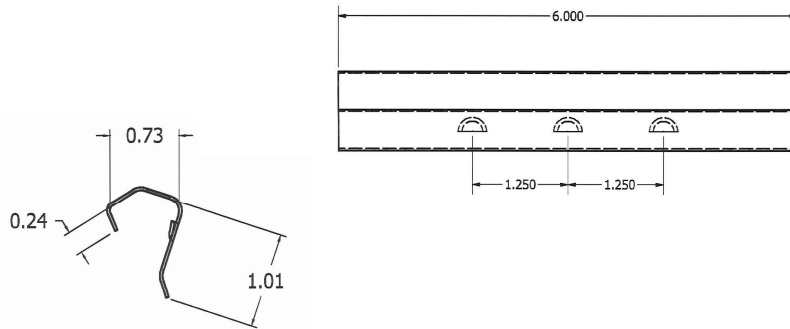
## Detail

High quality cleat designed for TDC and J Flange with three integrated “dimples” to lock the cleat in place when snapped onto the flange.



- Stamped from 22 gauge
- 6” Length
- Available in galvanized and stainless steel
- Integrated “dimples” to lock the cleat in place
- Designed for J Flange, TDC, TDF and TDX Connections

## Profile



## Packaging

Item	Description	Gauge	Packaging	Wt.
TRI-CLEAT	6” Tri Cleat	22	125 ft/box	29 lbs