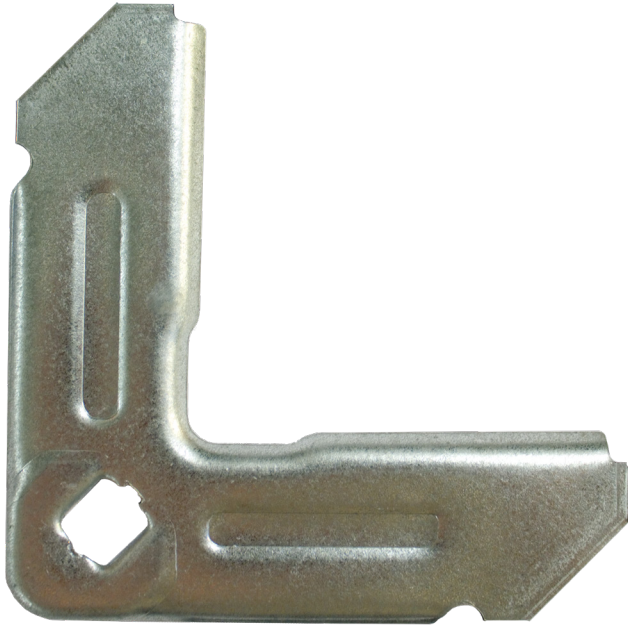


# CORNERMATE® F Corner

## Manual Insertion Corner

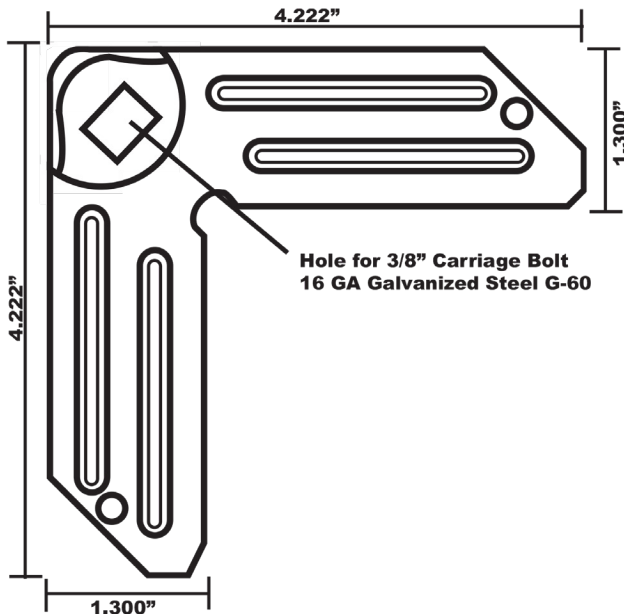


### DESCRIPTION

Manufactured for manual insertion into transverse duct flanges. The CORNERMATE F Corner is designed to be used on TDF Ductwork.

### SPECIAL CHARACTERISTICS

- Designed to be used on TDF Ductwork
- Used for manual insertion only
- Inner corner sealant plate for improved seals at corners
- Precision Stamped from 16 gauge galvanized steel
- Designed for a 3/8" Carriage Bolt
- Corners are packaged loose 250 per box



### LIMITED PRODUCT WARRANTY

Ductmate warrants that CORNERMATE F Corner, when properly installed and maintained, will be free from defects in material and workmanship, and will comply with all written specifications made by Ductmate at the time of sale. Ductmate's warranty shall run for a period of one year from the date of manufacture.

#### Warranty Limitation

The warranty stated above is in lieu of all other warranties, express or implied, including but not limited to the implied warranties of MERCHANTABILITY AND FITNESS FOR A PARTICULAR PURPOSE. Although Ductmate may have suggested the product, or provided written or oral advice to the Purchaser, it is the Purchaser's responsibility to test and determine the suitability of CORNERMATE F Corner, for the intended use and purpose, and Purchaser and/or its customer assumes all risk and liability whatsoever regarding such suitability.

#### Limitation of Liability

In the event of a breach of the above warranty, Ductmate's sole obligation, and Purchaser's sole and exclusive remedy, shall be, at Ductmate's option, repair or replacement of any defective products, or refund of an applicable portion of the purchase price. Ductmate shall have no liability for costs of removal or reinstallation of the product. The Purchaser agrees that no other remedy, including but not limited to loss of profits, loss sales, injury to person or property, or any other special, incidental or consequential damages, shall be available to the Purchaser for any claim arising out of this Agreement, regardless of whether such claim is made in contract or in tort, including strict liability in tort. In no event will Ductmate be obligated to pay damages to the Purchaser in any amount exceeding the purchase price that the Purchaser paid to Ductmate for the allegedly defective product.



**Charleroi, PA**  
210 Fifth Street  
Charleroi, PA 15022  
724-258-0500

**Lodi, CA**  
810 S. Cluff Avenue  
Lodi, CA 95240-9141  
209-333-4680

*Additional Manufacturing and Warehousing in  
Monongahela, PA and Wagoner, OK*

1-800-245-3188 • [www.ductmate.com](http://www.ductmate.com)

© Copyright Ductmate Industries, Inc. All rights reserved.



Ductmate Is A Proud Member Of The Following Organizations:



Distributed By: