

ULTIMATE DOOR™ ROUND



U.S. Patent No. 6,505,441
Additional Patents Pending



U.L. Rated Grease Duct Doors

Easy To Install Sandwich® Design

- UL 1978 listed
- Dramatically reduces installation time
- No special tools required
- Union made in the U.S.A
- Available in a variety of sizes
- Grease and liquid tight
- Meets NFPA 96 standards

 **DUCTMATE®**
Industries, Inc.

ULTIMATE DOOR™ ROUND

DESCRIPTION

Sandwich® style access door for grease duct or high temperature applications.

BASIC USE

Ultimate Round Door is specifically designed for use in round grease duct. Manufactured to exact diameter tolerances to insure a tight seal. This door was designed for applications requiring UL 1978 Listing.

SPECIAL CHARACTERISTICS

- UL 1978 Listed
- Easy to install Sandwich design with no special tools required
- Minimal penetration into the duct
- Dramatically reduces installation time
- No welding required
- Grease and liquid tight
- Meets NFPA 96 standards
- Union made in the U.S.A.
- Holes line up easily with adjustable fastening system
- Door is completely removable for easy cleaning
- Can be used with all types of duct wrap insulation systems
- No need for any clips
- No need for any drilling
- Unique collapsible handle design for easy installation

TECHNICAL INFORMATION

PANELS

The ULTIMATE Round Door consists of two layers of 11 gauge steel (also available in Stainless 304). Steel door must be used on steel duct and stainless door must be used on stainless duct.

GASKET

High temperature ceramic board, rated to 2300°. Completely covers the surface of the outer plate

FASTENERS

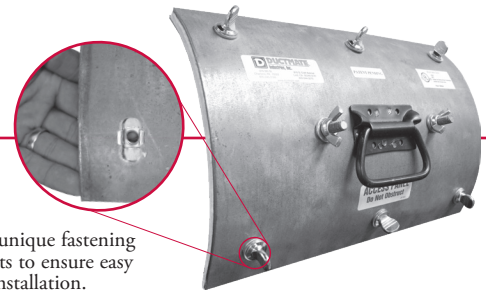
Two threaded fasteners are welded to the inner door. Fasteners are spaced around the perimeter of the door.

TEMPLATE

Self adhesive template is provided for the exact size of duct opening required.

LIMITED PRODUCT WARRANTY

** See Back Panel

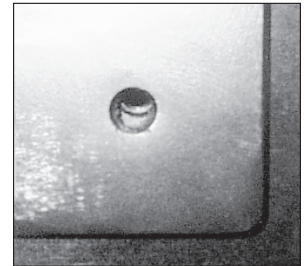


Designed with a unique fastening system that adjusts to ensure easy and convenient installation.

INSTALLATION INSTRUCTIONS



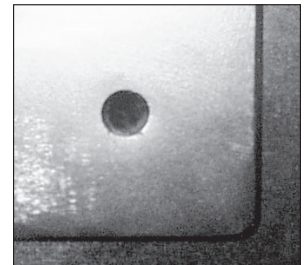
1. Peel backing off template and apply to duct in desired location.



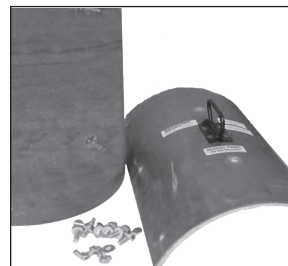
4a. **NOT CENTERED**
If you can see the wall of the duct through any of the corner holes, then it is not centered.



2. Cut around edge of the template.



4b. **CENTERED**
If you can not see the wall of the duct through any of the corner holes, then it is centered.



3. Remove the perimeter fasteners from the door assembly and loosen the two center fasteners, but do not remove.



5. Tighten all fasteners



4. Insert the door into the opening at an angle and then center the door.

PACKAGING INFORMATION AND SIZING GUIDELINES

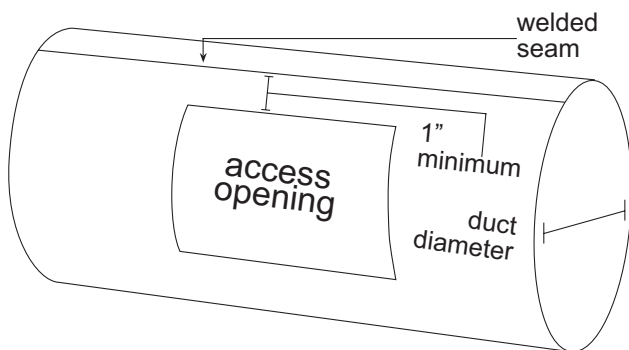
Ultimate Round Door

† Insert pipe diameter.

* Insert S4 for Stainless Steel (provided with Stainless Steel hex bolts).

* Insert BI for Black Iron.

Part #	Description	Opening Size	Door Size	Minimum Diameter	Package Quantity	Weight
DR106†UL*	Round UL Door 10" x 6"	10" x 6"	12" x 8"	10"	5	39.0 lbs.
DR128†UL*	Round UL Door 12" x 8"	12" x 8"	14" x 10"	12"	5	55.9 lbs.
DR1814†UL*	Round UL Door 18" x 14"	18" x 14"	20" x 16"	14"	2	48.0 lbs.



The door frame extends 1" around the opening; therefore, a minimum of 1" clearance is required on either side of the welded seam. Cutting the opening too close to the welded seam may lead to leakage.

For Use With Duct Wrap Systems

XX Outer Plate Diameter

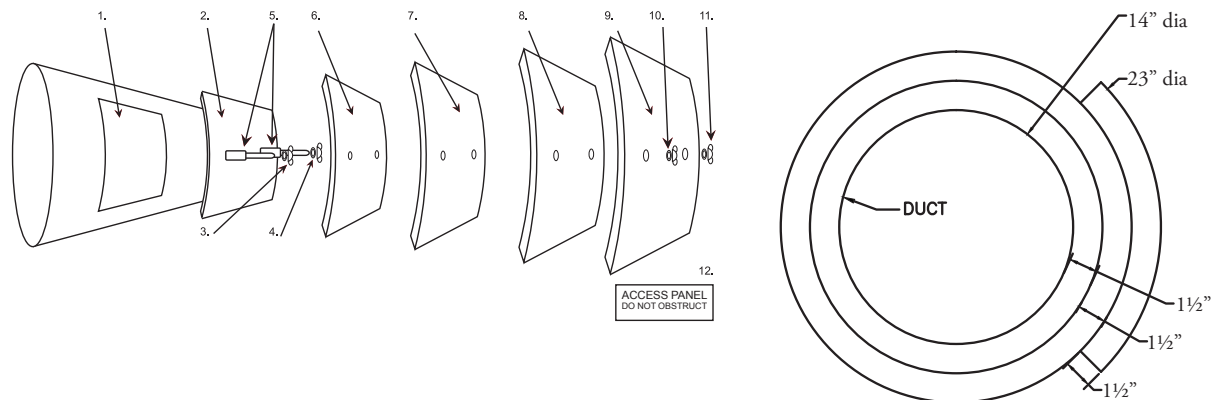
‡‡ Available in BI (Black Iron) or S4 (Stainless Steel Type 304) Outer plates will be offered to cover the 3 current round doors being offered.

Part #	Description	Outer Plate	Package Quantity	Weight
OPR106ULXX‡‡ (Sold Separately)	Outer Plate for 10" x 6" Door	16" x 12"	1	Consult Factory
OPR128ULXX‡‡ (Sold Separately)	Outer Plate for 12" x 8" Door	18" x 14"	1	Consult Factory
OPR1814ULXX‡‡ (Sold Separately)	Outer Plate for 18" x 14" Door	24" x 20"	1	Consult Factory
ULRINSULKIT (Sold Separately)	Insulation Kit: Two(2) 6" extension studs, 2 washers, 2 coupler nuts, 2 wing nuts, "Do Not Obstruct" sticker, and Insulation Instructions.		1	1.0 lbs.

Note: To determine the diameter of the outer plate: Insulation thickness x number of layers x 2 + duct diameter

Example: Diameter of the duct is 14" using 3 layers of 1½" insulation. $(1\frac{1}{2} \times 3) \times 2 + 14" = 23"$ Outer Plate.

Part# OPR106UL23BI



1. Duct Opening
2. Ductmate Industries ULtimate Round Grease Duct Access Door
3. Wing Nuts
4. Washers
5. Extended Insulation Studs With Coupler
6. One Layer 1½" Fire Wrap Insulation

7. One Layer 1½" Fire Wrap Insulation
8. One Layer 1½" Fire Wrap Insulation
9. Outer Plate (16 ga)
10. Washers
11. Wing Nuts
12. Identification Sign

**** LIMITED PRODUCT WARRANTY**

Ductmate warrants that the ULtimate™ Round Door when properly installed and maintained, will be free from defects in material and workmanship, and will comply with all written specifications made by Ductmate at the time of sale. Ductmate's warranty shall run for a period of one year from the date of manufacture.

Warranty Product Limitation:

The warranty stated above is in lieu of all other warranties, express or implied, including but not limited to the implied warranties of MERCHANTABILITY AND FITNESS FOR A PARTICULAR PURPOSE. Although Ductmate may have suggested the product, or provided written or oral advice to the Purchaser, it is the Purchaser's responsibility to test and determine the suitability of the ULtimate™ Round Door for the intended use and purpose, and Purchaser and/or its customer assumes all risk and liability whatsoever regarding such suitability.

Limitation of Liability:

In the event of a breach of the above warranty, Ductmate's sole obligation, and Purchaser's sole and exclusive remedy, shall be, at Ductmate's option, repair or replacement of any defective products, or refund of an applicable portion of the purchase price. Ductmate shall have no liability for costs of removal or reinstallation of the product. The Purchaser agrees that no other remedy, including but not limited to loss of profits, loss sales, injury to person or property, or any other special, incidental or consequential damages, shall be available to the Purchaser for any claim arising out of this Agreement, regardless of whether such claim is made in contract or in tort, including strict liability in tort. In no event will Ductmate be obligated to pay damages to the Purchaser in any amount exceeding the purchase price that the Purchaser paid to Ductmate for the allegedly defective product. This product must be used in conjunction with the correct duct diameter.

Listed
88VF
Fittings for Hood and Duct Penetration
Grease Duct Access Door
UL US
LISTED



Charleroi, PA
210 Fifth Street
Charleroi, PA 15022
724-258-0500

Lodi, CA
810 S. Cluff Avenue
Lodi, CA 95240-9141
209-333-4680

*Additional Manufacturing and Warehousing in
Monongahela, PA and Tulsa, OK*

1-800-245-3188 • www.ductmate.com

© Copyright Ductmate Industries, Inc. All rights reserved.



Ductmate Is A Proud Member Of The Following Organizations:



Distributed By: