

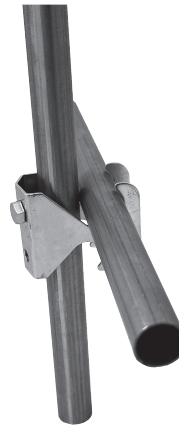
SUBMITTAL RECORD _____
 JOB _____
 LOCATION _____
 SUBMITTED TO _____
 SUBMITTAL PREPARED BY _____
 APPROVED BY _____
 DATE _____



Submittal Form Dual Dyn-O-Claw™

DESCRIPTION:

When conduit crosses inside the ductwork, it can vibrate with the passing of airflow and create a rattling sound. The Dual Dyn-O-Claw is designed to join conduit and eliminate their vibration in the duct. Dual Dyn-O-Claws are easier and faster than other alternatives such as ties or welding, and work on both 1/2" and 3/4" conduit.

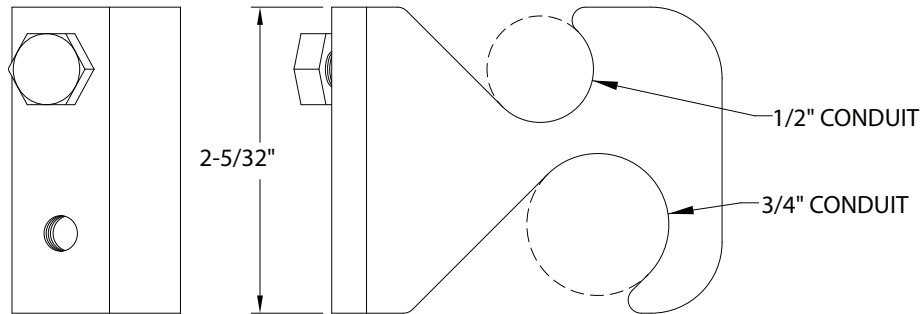
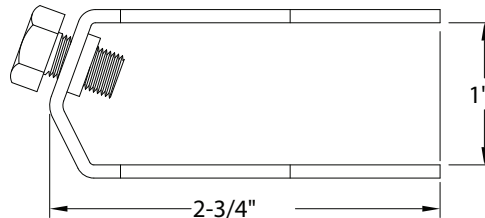


3/4" Conduit Application



1/2" Conduit Application

Bolt secures the claw to the conduit to immobilize it.



Item #	Code	Description	Packaging
21298	DOMOC1234	Dual Dyn-O-Claw 1/2" & 3/4"	250/box

Duro Dyne East Division, Bay Shore, NY
 Duro Dyne Midwest Division, Hamilton, OH
 Duro Dyne West Division, Fontana, CA
 Duro Dyne Canada, Lachine, Quebec, Canada

631-249-9000 Fax: 631-249-8346
 513-870-6000 Fax: 513-870-6005
 562-926-1774 Fax: 562-926-5778
 514-422-9760 Fax: 514-636-0328

www.durodyne.com E-mail: durodyne@durodyne.com



©2018 Duro Dyne Corporation
 Printed in USA 6/19/18
 BO050037