

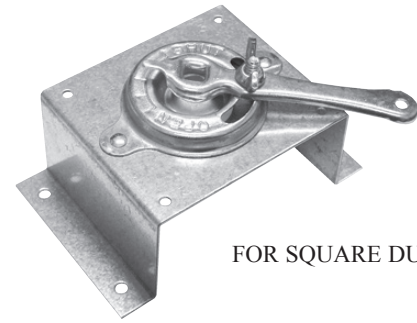
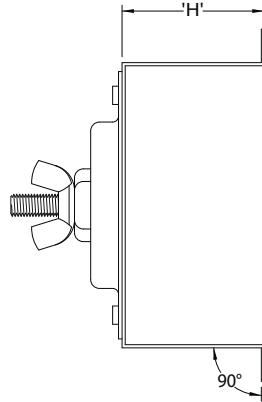
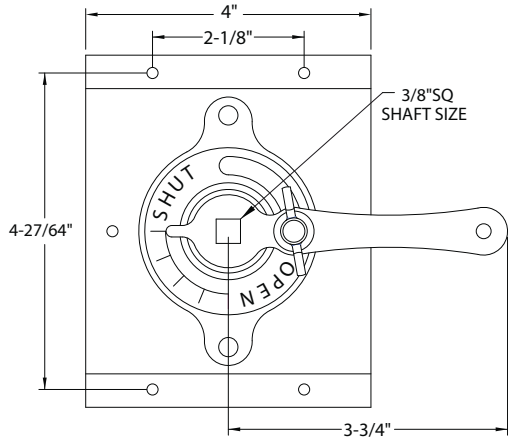
SUBMITTAL RECORD

JOB _____
 LOCATION _____
 SUBMITTED TO _____
 SUBMITTAL PREPARED BY _____
 APPROVED BY _____
 DATE _____



**Submittal Form
 KR3, KR3R, KR3SS
 Standoff with
 3/8" Dial Regulator**

STANDOFF WITH 3/8" DIAL REGULATOR (FOR DAMPERS UP TO 20") - SQUARE

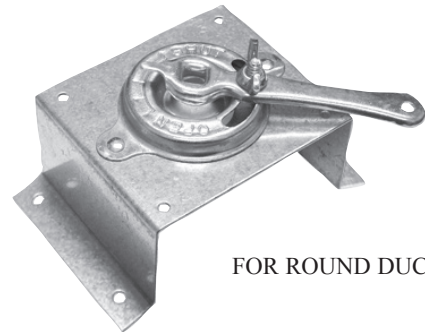
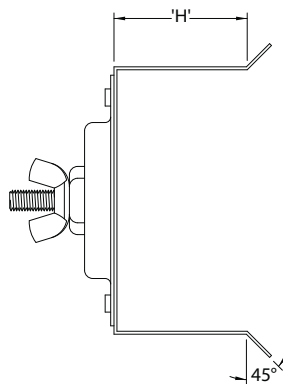
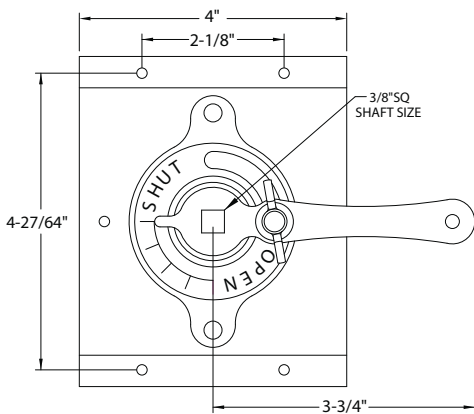


FOR SQUARE DUCT

KR SERIES FOR SQUARE DUCT				
ITEM#/BULK #	CODE/BULK CODE	SHAFT SIZE	'H'	QTY/BULK QTY
8304	KR3-1	3/8" sq.	1"	10 Per Ctn
8310	KR3-150	3/8" sq.	1-1/2"	10 Per Ctn
7360 / 8373	KR3-2 / KR3-2B	3/8" sq.	2"	10 Per Ctn/30 Per Ctn

300 SERIES STAINLESS FOR SQUARE DUCT				
ITEM#	CODE	SHAFT SIZE	'H'	QUANTITY
7290	KR3SS-100	3/8" sq.	1"	10 Per Ctn
7292	KR3SS-150	3/8" sq.	1-1/2"	10 Per Ctn
7294	KR3SS-200	3/8" sq.	2"	10 Per Ctn

STANDOFF WITH 3/8" DIAL REGULATOR (FOR DAMPERS UP TO 20") - ROUND



FOR ROUND DUCT

KR SERIES FOR ROUND DUCT				
ITEM#	CODE	SHAFT SIZE	'H'	QUANTITY
7361	KR3-1R	3/8" sq.	1"	10 Per Ctn
8366	KR3-150R	3/8" sq.	1-1/2"	10 Per Ctn
7359	KR3-2R	3/8" sq.	2"	10 Per Ctn

300 SERIES STAINLESS FOR ROUND DUCT				
ITEM#	CODE	SHAFT SIZE	'H'	QUANTITY
7291	KR3SS-100R	3/8" sq.	1"	10 Per Ctn
7293	KR3SS-150R	3/8" sq.	1-1/2"	10 Per Ctn
7295	KR3SS-200R	3/8" sq.	2"	10 Per Ctn

Duro Dyne East Division, Bay Shore, NY
 Duro Dyne Midwest Division, Hamilton, OH
 Duro Dyne West Division, Fontana, CA
 Duro Dyne Canada, Lachine, Quebec, Canada

631-249-9000 Fax: 631-249-8346
 513-870-6000 Fax: 513-870-6005
 562-926-1774 Fax: 562-926-5778
 514-422-9760 Fax: 514-636-0328

www.durodyne.com E-mail: durodyne@durodyne.com



©2018 Duro Dyne Corporation
 Printed in USA 11/18
 BO008426