

SUBMITTAL RECORD \_\_\_\_\_  
 JOB \_\_\_\_\_  
 LOCATION \_\_\_\_\_  
 SUBMITTED TO \_\_\_\_\_  
 SUBMITTAL PREPARED BY \_\_\_\_\_  
 APPROVED BY \_\_\_\_\_  
 DATE \_\_\_\_\_



# Submittal Form NHSAD - Self Stick Insulated Access Doors Hinged

## DESCRIPTION

Periodic inspection and testing of fire and smoke dampers and detectors in ductwork is a standard safety procedure. Easy access to these devices as well as providing a means of removing dust accumulation can be provided by the installation of hinged or removable access doors. These doors incorporate an integral self stick frame which readily fastens to the duct work as well as a camlock latching system for easy entry.

## RELATED NFPA 90A & 90B STANDARDS

### 2-1.4 Duct Access and Inspection Provisions.

**2-1.4.1** A service opening or telescoping or removable duct section shall be provided in ducts adjacent to each fire door, fire damper, smoke damper and smoke detector. The opening shall be large enough to permit maintenance and resetting of the device.

**2-1.4.1** Service openings, telescoping or removable duct sections shall be identified with letters no less than 1/2 in. (1.27 cm) in height to indicate the location of the fire protection device(s) within.

**2-1.4.3** Horizontal ducts and plenums shall be provided with service openings (see 2-1.4.1) to facilitate cleaning the duct of accumulations of dust and combustible materials. Service openings shall be placed at approximately 20 ft. (6.1-m) intervals along the duct and at the base of each vertical riser.

**Exception No. 1:** Removable air outlet or air inlet devices of adequate size may be accepted in lieu of service openings.

**Exception No. 2:** Service openings may be omitted in supply ducts when the supply air has previously passed through air filters or water spray.

**Exception No. 3:** Service openings are not required when all the following conditions prevail:

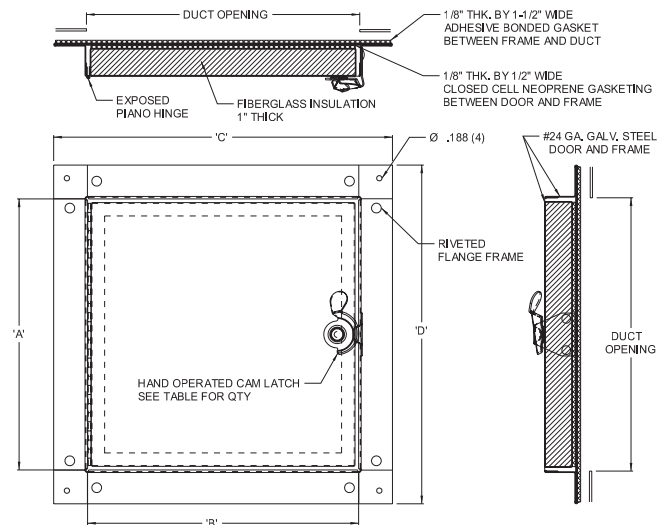
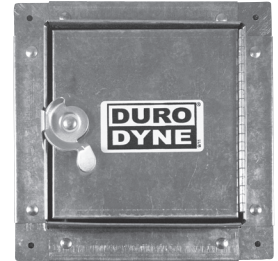
(a) The occupancy does not produce combustible material such as dust, lint, greasy vapors, etc. Such occupancies include banks, office buildings, churches, hotels, and health care facilities (but not kitchens, service rooms, and manufacturing portions of such facilities).

(b) The air inlets are at least 7 ft. (2.13m) above the floor or are protected by corrosion-resistant metal screens of at least 14 mes, installed at the inlets so that they will not draw papers, refuse, cigarettes or other combustible solids into the return air duct.

(c) The minimum design velocity in the return duct from the particular occupancy is 1,000 ft/min. (508m/sec.).

## SUGGESTED SPECIFICATIONS

Service openings shall be provided in ducts adjacent to each fire door, fire damper, smoke damper and smoke detector. Horizontal ducts and plenums shall be provided with service openings to facilitate cleaning the duct of accumulations of dust and combustible materials. Service openings shall be placed at approximately 20 foot intervals along the duct and at the base of each vertical riser. Service openings shall be sized \_\_\_\_\_ x \_\_\_\_\_ and shall incorporate access doors coded \_\_\_\_\_ as manufactured by Duro Dyne Corporation.



## CONSTRUCTION

- Door Frame:** 24 ga. galvanized steel. Conforms to ASTM-A-591.
- Door Face:** 24 ga. galvanized steel. Conforms to ASTM-A-591.
- Insulation:** 1" fiberglass
- Door Seal:** Neoprene blend. Temperature range -40 to 200 F
- Frame Seal:** Polyethylene foam Temperature range -40 F to 180 F.
- Latches (Hinged Doors):** One Cam and latch on all hinged doors 12" and under. Two Cams and latches on larger hinged sizes. Heavy duty Zinc plated cams and strikes.

Access doors are designed and tested to withstand up to 10WG pressure class.

| Item # | Code       | Size  |
|--------|------------|-------|
| 7046   | NHSAD6x6   | 6x6   |
| 7047   | NHSAD8x8   | 8x8   |
| 7048   | NHSAD10x10 | 10x10 |
| 7049   | NHSAD12x12 | 12x12 |
| 7050   | NHSAD14x14 | 14x14 |
| 7051   | NHSAD16x16 | 16x16 |
| 7052   | NHSAD18x12 | 18x12 |
| 7053   | NHSAD18x18 | 18x18 |
| 7054   | NHSAD20x20 | 20x20 |
| 7055   | NHSAD24x24 | 24x24 |

|  |              |                   |
|--|--------------|-------------------|
| Duro Dyne East Division, Bay Shore, NY         | 631-249-9000 | Fax: 631-249-8346 |
| Duro Dyne Midwest Division, Hamilton, OH       | 513-870-6000 | Fax: 513-870-6005 |
| Duro Dyne West Division, Fontana, CA           | 562-926-1774 | Fax: 562-926-5778 |
| Duro Dyne Canada, Lachine, Quebec, Canada      | 514-422-9760 | Fax: 514-636-0328 |
| www.durodyne.com E-mail: durodyne@durodyne.com |              |                   |

©2017 DURO DYNE CORP.  
 Printed in the USA 10/17  
 BO008421

