

SUBMITTAL RECORD _____
 JOB _____
 LOCATION _____
 SUBMITTED TO _____
 SUBMITTAL PREPARED BY _____
 APPROVED BY _____
 DATE _____

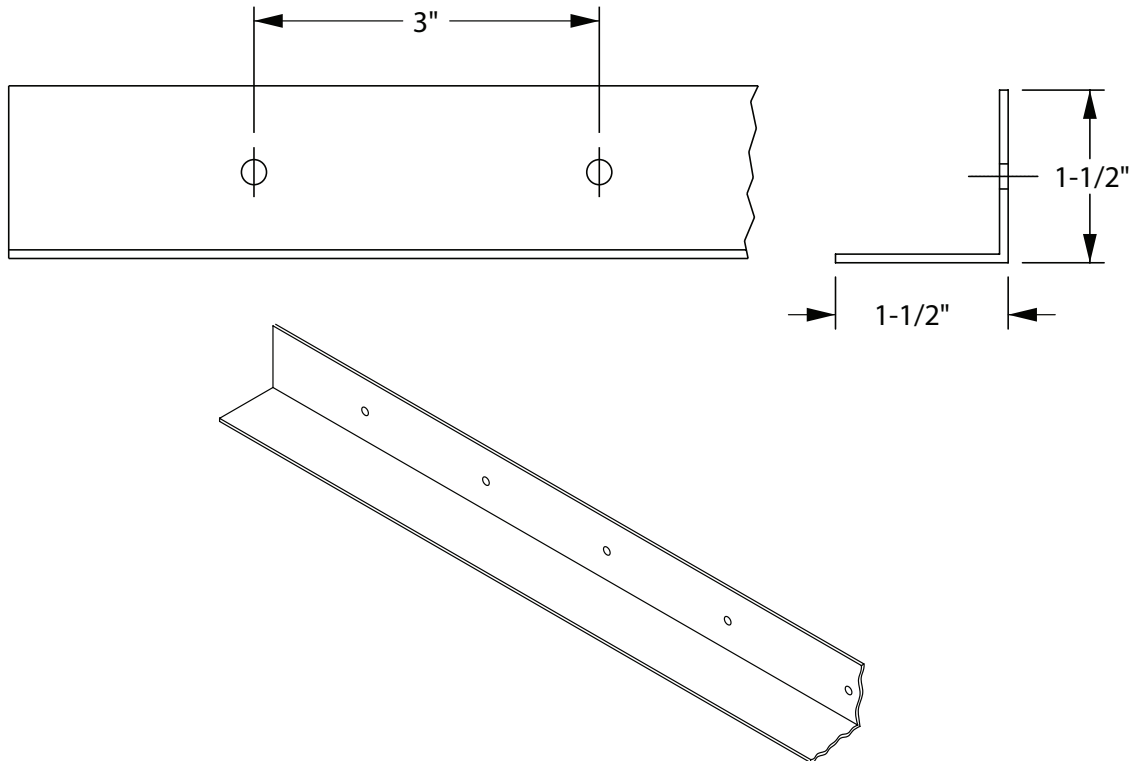


Submittal Form Punched Angle Iron

- Versatile product used for reinforcing & mounting duct
- Manufactured from 14 or 16 gauge galvanized steel
- 3/16" holes on 3" centers
- Available in 12' lengths
- Also available in aluminum & stainless steel



Item #	Code	Description	Length
21221	PAI1612	1.5" x 1.5" 16ga Punched Angle Iron	12 ft.
13190	PAI1412	1.5" x 1.5" 14ga Punched Angle Iron	12 ft.



Duro Dyne East Division, Bay Shore, NY
 Duro Dyne Midwest Division, Hamilton, OH
 Duro Dyne West Division, Fontana, CA
 Duro Dyne Canada, Lachine, Quebec, Canada

631-249-9000 Fax: 631-249-8346
 513-870-6000 Fax: 513-870-6005
 562-926-1774 Fax: 562-926-5778
 514-422-9760 Fax: 514-636-0328

www.durodyne.com E-mail: durodyne@durodyne.com



©2019 Duro Dyne Corporation
 Printed in USA 6/19
 BO050023