

**SUBMITTAL RECORD**

JOB \_\_\_\_\_  
LOCATION \_\_\_\_\_  
SUBMITTED TO \_\_\_\_\_  
SUBMITTAL PREPARED BY \_\_\_\_\_  
APPROVED BY \_\_\_\_\_  
DATE \_\_\_\_\_



# Submittal Form

## Round External Gear Driven Cable Operated Damper

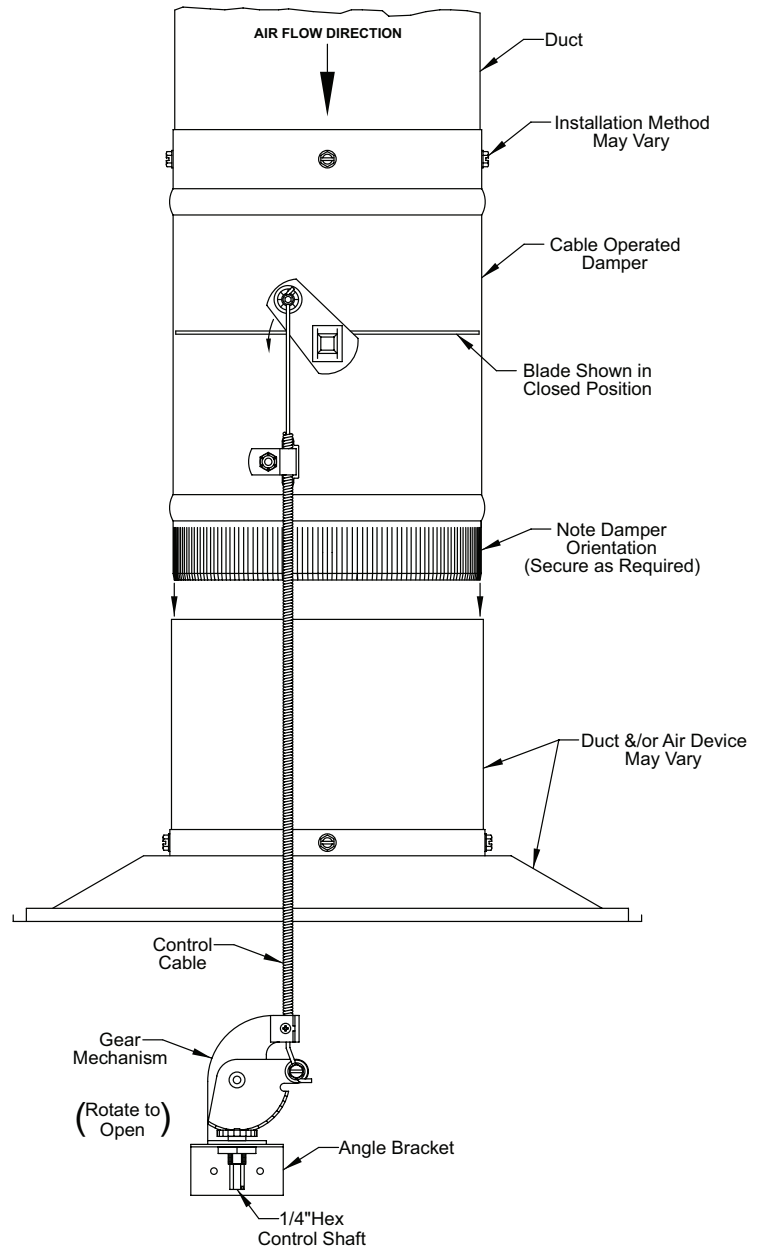
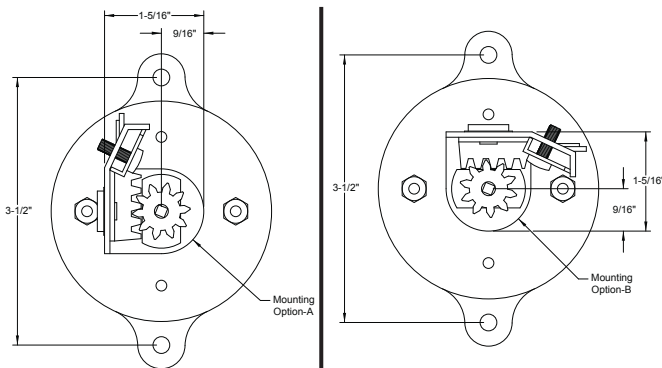
**DESCRIPTION:**

Duct systems are designed to supply a specific volume of air to a space. However, air volume adjustment is typically required to achieve design CFM. Installation of a gear driven cable operated balancing damper allows the balancing contractor a convenient way to adjust air volume from a more accessible location. The cable operated damper is mounted upstream of the air device. The adjustment cable is routed to an appropriate area such as a wall mount. The gear actuator at the end of the adjustment cable features a hex head so adjustments can be made easily with a 1/4" standard nut driver or medium standard flat screw driver.



*Gear drive cable operated dampers from Duro Dyne are sold completely assembled with a manufacturer installed cable.*

**MOUNTING OPTIONS:**



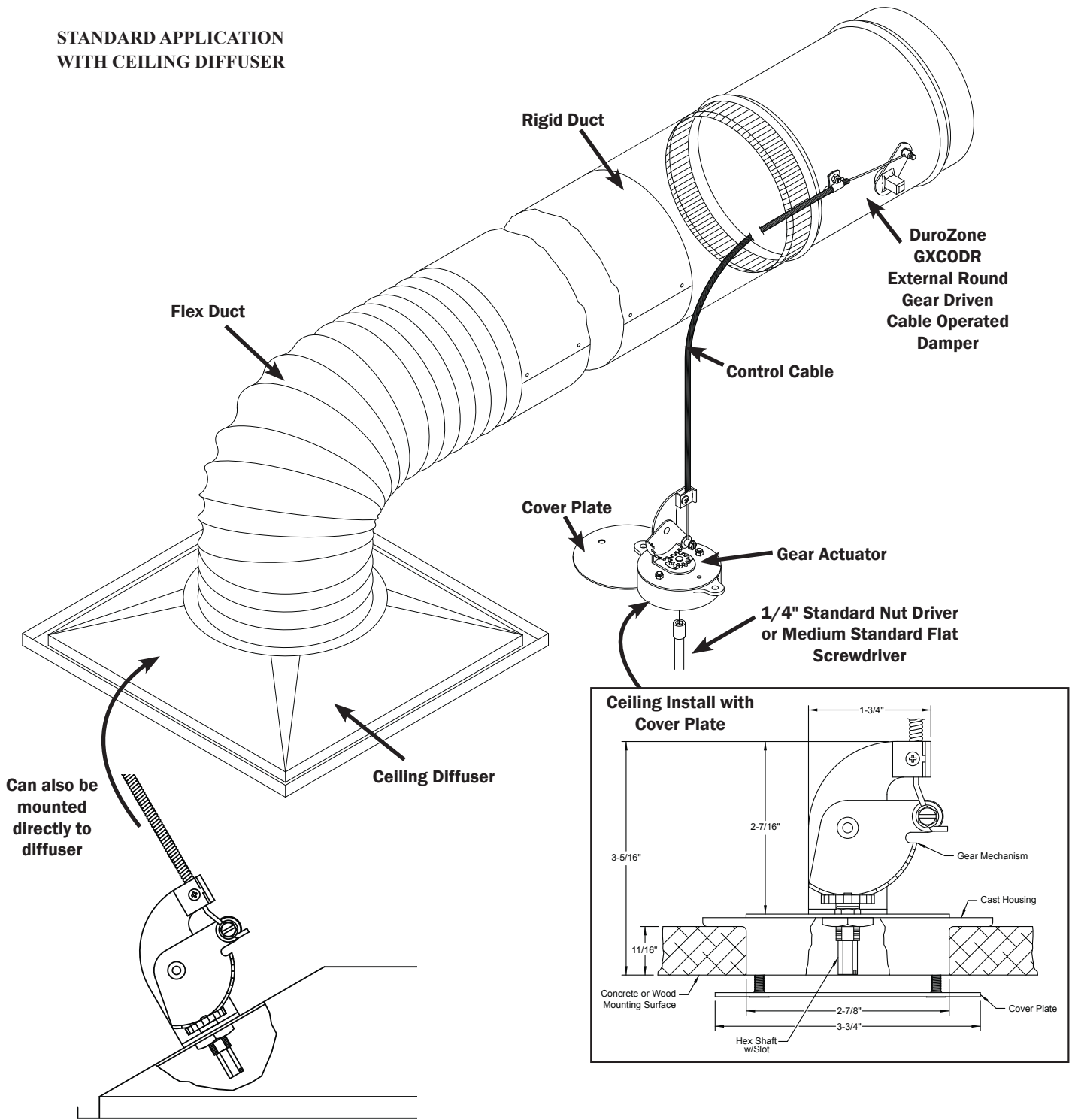
**SUGGESTED SPECIFICATIONS:**

Round External Gear Driven Cable Operated Dampers shall be Duro Dyne GXCODR type dampers. Dampers shall be manufactured of G60 or better galvanized steel. Cable case shall be galvanized steel, solid core control wire shall be stainless steel, and manufacturer installed. Installation shall be as described in the Duro Dyne gear driven cable operated damper instructions. Sizes and locations shall be as indicated on the mechanical drawings.

Duro Dyne East Division, Bay Shore, NY	631-249-9000	Fax: 631-249-8346
Duro Dyne Midwest Division, Fairfield, OH	513-870-6000	Fax: 513-870-6005
Duro Dyne West Division, Fontana, CA	562-926-1774	Fax: 562-926-5778
Duro Dyne Canada, Lachine, Quebec, Canada	514-422-9760	Fax: 514-636-0328
www.durodyne.com E-mail: durodyne@durodyne.com		



**STANDARD APPLICATION  
WITH CEILING DIFFUSER**

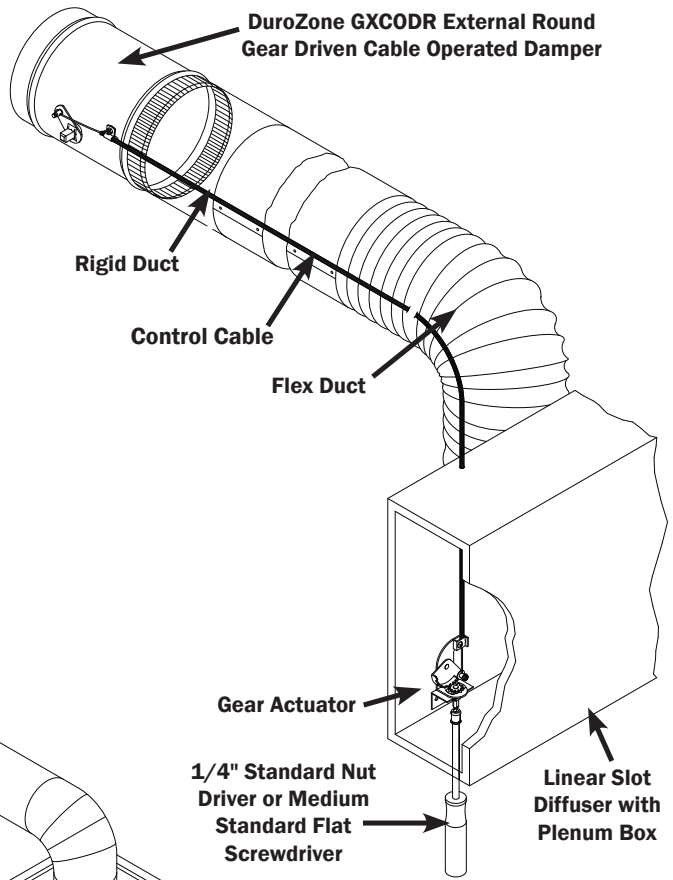


Damper Specifications										
Item Code	GXCODR04 thru GXCODR08	GXCODR09	GXCODR10	GXCODR12	GXCODR14	GXCODR16	GXCODR18	GXCODR20	GXCODR22	GXCODR24
Housing Length	9	11	11	14	14	16	19	20	24	24
Diameter	4" thru 8"	9	10	12	14	16	18	20	22	24
Housing Gage	24 gage	22 gage	22 gage	22 gage	22 gage	22 gage	22 gage	22 gage	22 gage	22 gage

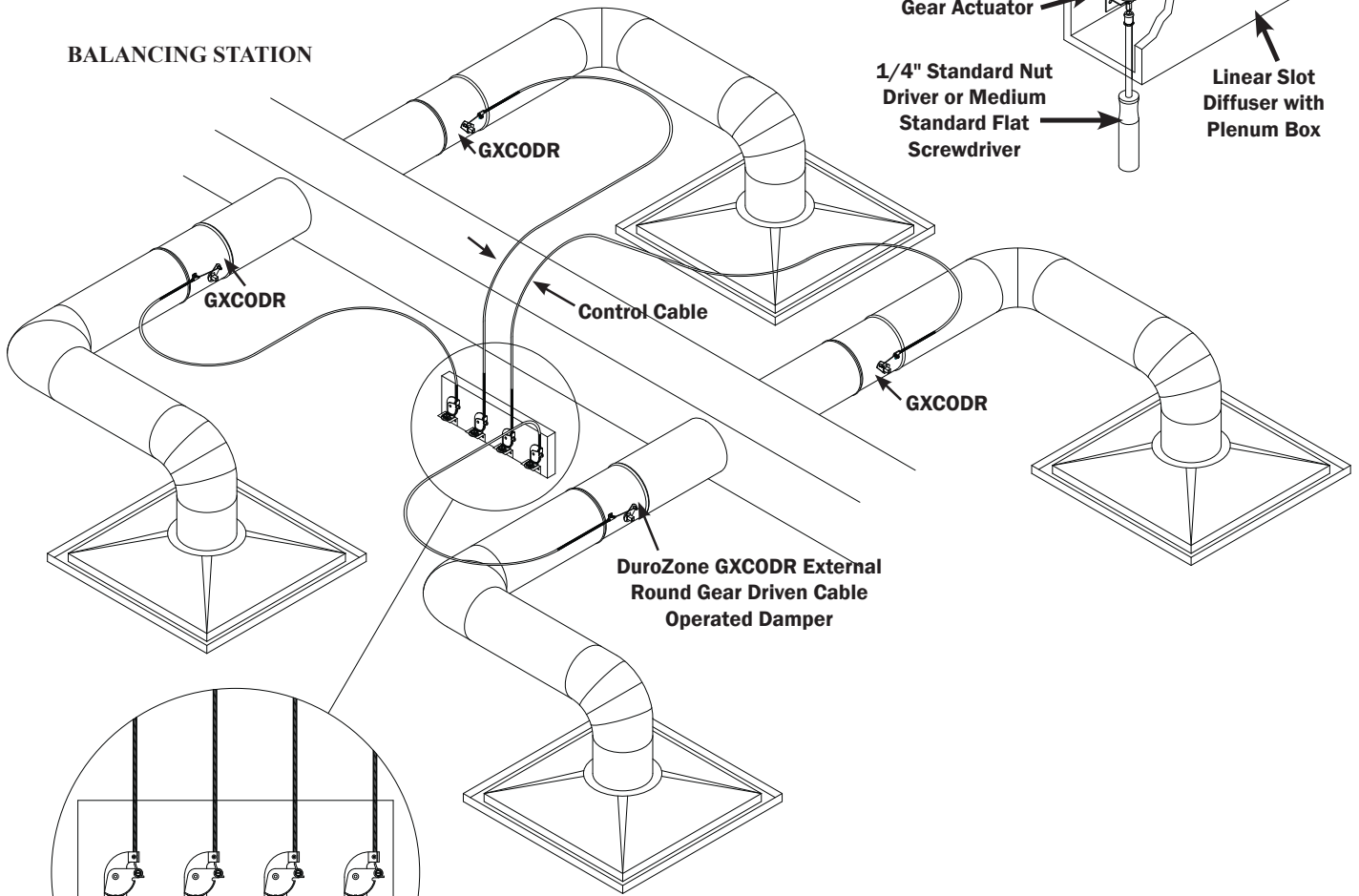
Duro Dyne East Division, Bay Shore, NY 631-249-9000 Fax: 631-249-8346  
 Duro Dyne Midwest Division, Fairfield, OH 513-870-6000 Fax: 513-870-6005  
 Duro Dyne West Division, Fontana, CA 562-926-1774 Fax: 562-926-5778  
 Duro Dyne Canada, Lachine, Quebec, Canada 514-422-9760 Fax: 514-636-0328  
[www.durodyne.com](http://www.durodyne.com) E-mail: [durodyne@durodyne.com](mailto:durodyne@durodyne.com)



**STANDARD APPLICATION  
WITH LINEAR SLOT DIFFUSER**



**BALANCING STATION**



**Balancing Station adjustable with a 1/4" Standard Nut Driver or Medium Standard Flat Screwdriver**

Duro Dyne East Division, Bay Shore, NY	631-249-9000	Fax: 631-249-8346
Duro Dyne Midwest Division, Fairfield, OH	513-870-6000	Fax: 513-870-6005
Duro Dyne West Division, Fontana, CA	562-926-1774	Fax: 562-926-5778
Duro Dyne Canada, Lachine, Quebec, Canada	514-422-9760	Fax: 514-636-0328
www.durodyne.com E-mail: durodyne@durodyne.com		





# Submittal Form

## Round External Gear Driven Cable Operated Damper

Description	3 foot Cable		5 foot Cable		8 foot Cable		10 foot Cable		15 foot Cable	
	Item #	Code	Item #	Code	Item #	Code	Item #	Code	Item #	Code
4" Rd Cable Operated Damper	53310	GXCODR0403	53311	GXCODR0405	53312	GXCODR0408	53313	GXCODR0410	53314	GXCODR0415
5" Rd Cable Operated Damper	53316	GXCODR0503	53317	GXCODR0505	53318	GXCODR0508	53319	GXCODR0510	53320	GXCODR0515
6" Rd Cable Operated Damper	53322	GXCODR0603	53323	GXCODR0605	53324	GXCODR0608	53325	GXCODR0610	53326	GXCODR0615
7" Rd Cable Operated Damper	53328	GXCODR0703	53329	GXCODR0705	53330	GXCODR0708	53331	GXCODR0710	53332	GXCODR0715
8" Rd Cable Operated Damper	53334	GXCODR0803	53335	GXCODR0805	53336	GXCODR0808	53337	GXCODR0810	53338	GXCODR0815
9" Rd Cable Operated Damper	53340	GXCODR0903	53341	GXCODR0905	53342	GXCODR0908	53343	GXCODR0910	53344	GXCODR0915
10" Rd Cable Operated Damper	53346	GXCODR1003	53347	GXCODR1005	53348	GXCODR1008	53349	GXCODR1010	53350	GXCODR1015
12" Rd Cable Operated Damper	53352	GXCODR1203	53353	GXCODR1205	53354	GXCODR1208	53355	GXCODR1210	53356	GXCODR1215
14" Rd Cable Operated Damper	53358	GXCODR1403	53359	GXCODR1405	53360	GXCODR1408	53361	GXCODR1410	53362	GXCODR1415
16" Rd Cable Operated Damper	53364	GXCODR1603	53365	GXCODR1605	53366	GXCODR1608	53367	GXCODR1610	53368	GXCODR1615
18" Rd Cable Operated Damper	53370	GXCODR1803	53371	GXCODR1805	53372	GXCODR1808	53373	GXCODR1810	53374	GXCODR1815
20" Rd Cable Operated Damper	53376	GXCODR2003	53377	GXCODR2005	53378	GXCODR2008	53379	GXCODR2010	53380	GXCODR2015
22" Rd Cable Operated Damper	53382	GXCODR2203	53383	GXCODR2205	53384	GXCODR2208	53385	GXCODR2210	53386	GXCODR2215
24" Rd Cable Operated Damper	53388	GXCODR2403	53389	GXCODR2405	53390	GXCODR2408	53391	GXCODR2410	53392	GXCODR2415

Custom damper sizes and custom cable lengths are available upon request.

Duro Dyne East Division, Bay Shore, NY  
 Duro Dyne Midwest Division, Fairfield, OH  
 Duro Dyne West Division, Fontana, CA  
 Duro Dyne Canada, Lachine, Quebec, Canada  
 www.durodyne.com E-mail: durodyne@durodyne.com

631-249-9000 Fax: 631-249-8346  
 513-870-6000 Fax: 513-870-6005  
 562-926-1774 Fax: 562-926-5778  
 514-422-9760 Fax: 514-636-0328



©2015 Duro Dyne Corporation  
 Printed in USA 8/15  
 BO040007