

SUBMITTAL RECORD

JOB _____
LOCATION _____
SUBMITTED TO _____
SUBMITTAL PREPARED BY _____
APPROVED BY _____
DATE _____



Submittal Form
Round Internal
Gear Driven
Cable Operated Damper

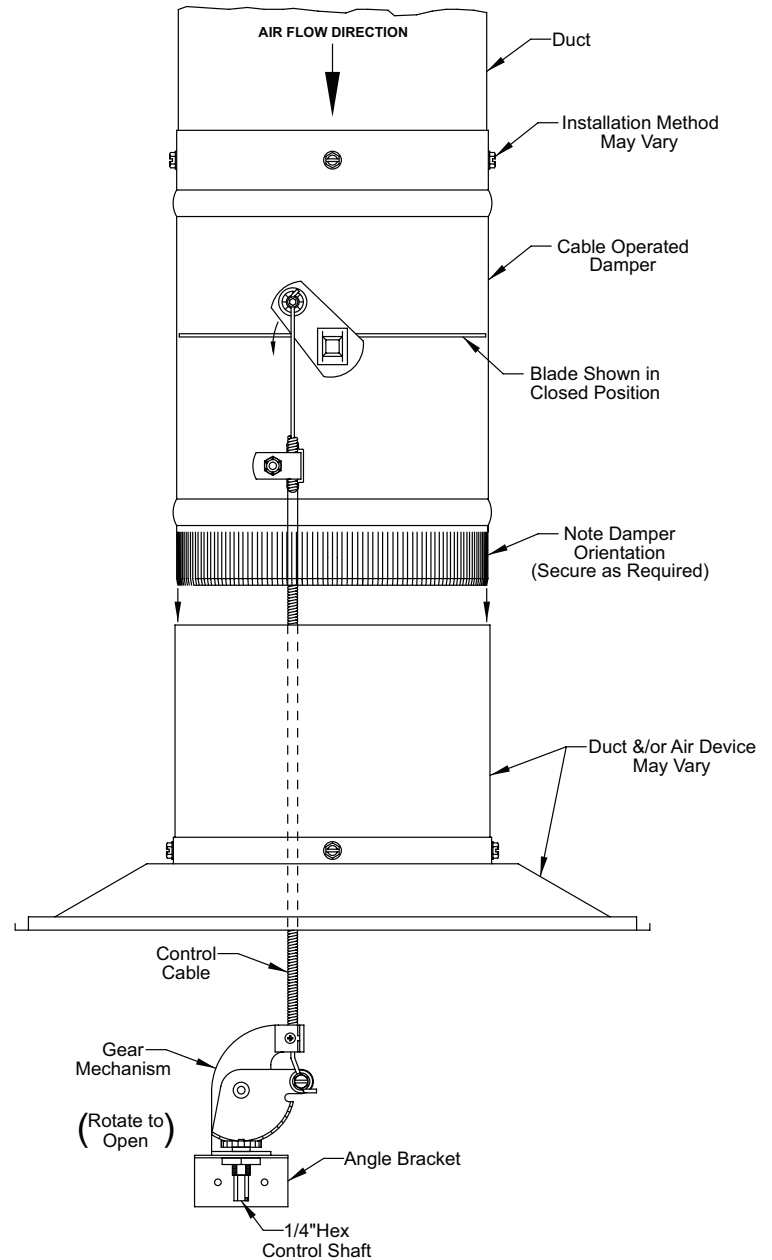
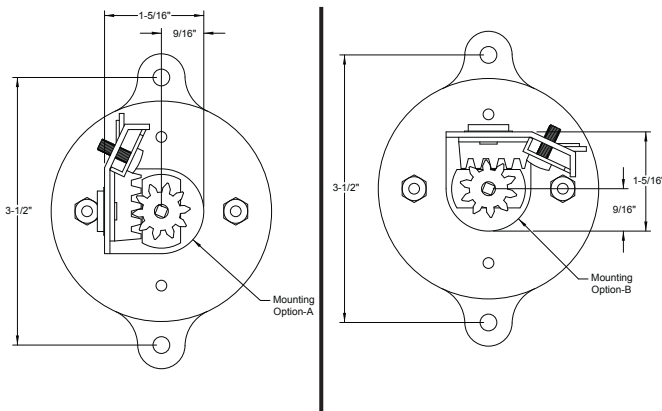
DESCRIPTION:

Duct systems are designed to supply a specific volume of air to a space. However, air volume adjustment is typically required to achieve design CFM. Installation of a gear driven cable operated damper allows the balancing contractor a convenient way to adjust air volume from a more accessible location. The gear driven cable operated damper is mounted upstream of the air device with the control cable inside of the airstream. The actuator at the end of the adjustment cable is accessible from the diffuser grill. The gear actuator features a hex head so adjustments can be made easily with a 1/4" standard nut driver or medium standard flat screw driver.



Gear drive cable operated dampers from Duro Dyne are sold completely assembled with a manufacturer installed cable.

MOUNTING OPTIONS:



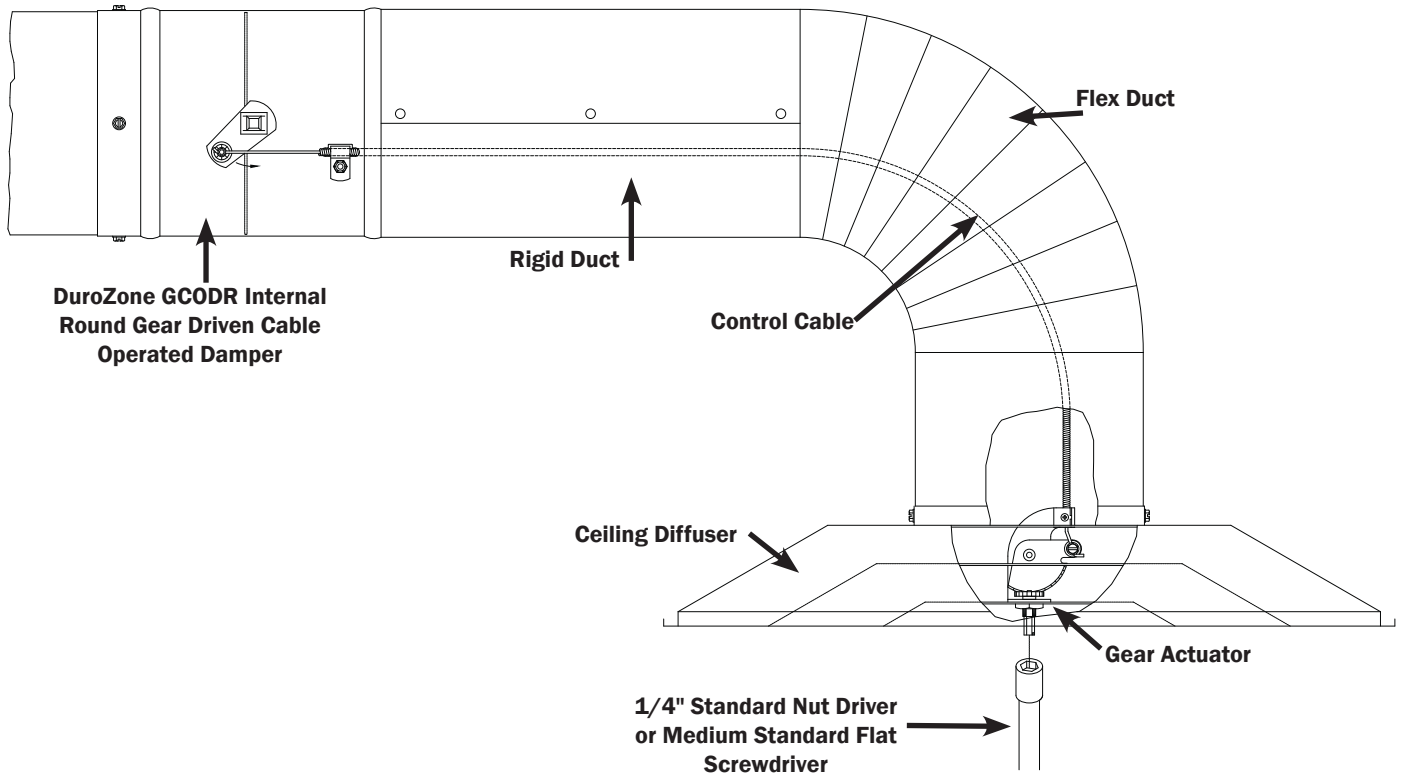
SUGGESTED SPECIFICATIONS:

Round Internal Gear Driven Cable Operated Dampers shall be Duro Dyne GCODR type dampers. Dampers shall be manufactured of G60 or better galvanized steel. Cable case shall be galvanized steel, solid core control wire shall be stainless steel. Installation shall be as described in the Duro Dyne gear driven cable operated damper instructions. Sizes and locations shall be as indicated on the mechanical drawings.

Duro Dyne East Division, Bay Shore, NY	631-249-9000	Fax: 631-249-8346
Duro Dyne Midwest Division, Fairfield, OH	513-870-6000	Fax: 513-870-6005
Duro Dyne West Division, Fontana, CA	562-926-1774	Fax: 562-926-5778
Duro Dyne Canada, Lachine, Quebec, Canada	514-422-9760	Fax: 514-636-0328
www.durodyne.com E-mail: durodyne@durodyne.com		



**STANDARD APPLICATION
WITH CEILING DIFFUSER**



Damper Specifications

Item Code	GCODR04 thru GCODR08	GCODR09	GCODR10	GCODR12	GCODR14	GCODR16	GCODR18	GCODR20	GCODR22	GCODR24
Housing Length	9	11	11	14	14	16	19	20	24	24
Diameter	4" thru 8"	9	10	12	14	16	18	20	22	24
Housing Gage	24 gage	22 gage	22 gage	22 gage	22 gage	22 gage	22 gage	22 gage	22 gage	22 gage

Duro Dyne East Division, Bay Shore, NY
 Duro Dyne Midwest Division, Fairfield, OH
 Duro Dyne West Division, Fontana, CA
 Duro Dyne Canada, Lachine, Quebec, Canada

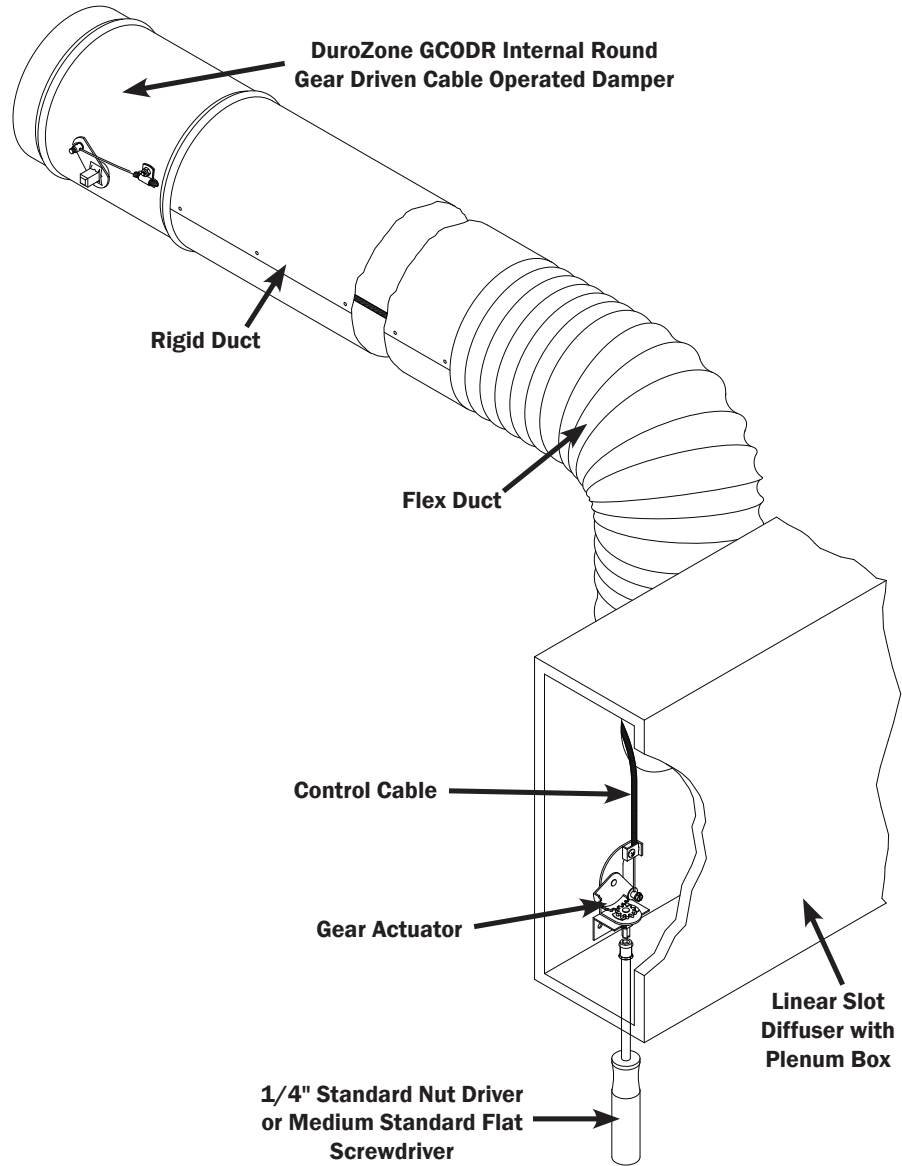
631-249-9000 Fax: 631-249-8346
 513-870-6000 Fax: 513-870-6005
 562-926-1774 Fax: 562-926-5778
 514-422-9760 Fax: 514-636-0328

www.durodyne.com E-mail: durodyne@durodyne.com



©2015 Duro Dyne Corporation
 Printed in USA 8/15
 BO040007

**STANDARD APPLICATION
WITH LINEAR SLOT DIFFUSER**



Duro Dyne East Division, Bay Shore, NY
Duro Dyne Midwest Division, Fairfield, OH
Duro Dyne West Division, Fontana, CA
Duro Dyne Canada, Lachine, Quebec, Canada

www.durodyne.com E-mail: durodyne@durodyne.com

631-249-9000 Fax: 631-249-8346
513-870-6000 Fax: 513-870-6005
562-926-1774 Fax: 562-926-5778
514-422-9760 Fax: 514-636-0328

**DURO
DYNE**[®]

©2015 Duro Dyne Corporation
Printed in USA 8/15
BO040007



Submittal Form Round Interl Gear Driven Cable Operated Damper

Description	3 foot Cable		5 foot Cable		8 foot Cable		10 foot Cable		15 foot Cable	
	Item #	Code	Item #	Code	Item #	Code	Item #	Code	Item #	Code
4" Rd Cable Operated Damper	53210	GCODR0403	53211	GCODR0405	53212	GCODR0408	53213	GCODR0410	53214	GCODR0415
5" Rd Cable Operated Damper	53216	GCODR0503	53217	GCODR0505	53218	GCODR0508	53219	GCODR0510	53220	GCODR0515
6" Rd Cable Operated Damper	53222	GCODR0603	53223	GCODR0605	53224	GCODR0608	53225	GCODR0610	53226	GCODR0615
7" Rd Cable Operated Damper	53228	GCODR0703	53229	GCODR0705	53230	GCODR0708	53231	GCODR0710	53232	GCODR0715
8" Rd Cable Operated Damper	53234	GCODR0803	53235	GCODR0805	53236	GCODR0808	53237	GCODR0810	53238	GCODR0815
9" Rd Cable Operated Damper	53240	GCODR0903	53241	GCODR0905	53242	GCODR0908	53243	GCODR0910	53244	GCODR0915
10" Rd Cable Operated Damper	53246	GCODR1003	53247	GCODR1005	53248	GCODR1008	53249	GCODR1010	53250	GCODR1015
12" Rd Cable Operated Damper	53252	GCODR1203	53253	GCODR1205	53254	GCODR1208	53255	GCODR1210	53256	GCODR1215
14" Rd Cable Operated Damper	53258	GCODR1403	53259	GCODR1405	53260	GCODR1408	53261	GCODR1410	53262	GCODR1415
16" Rd Cable Operated Damper	53264	GCODR1603	53265	GCODR1605	53266	GCODR1608	53267	GCODR1610	53268	GCODR1615
18" Rd Cable Operated Damper	53270	GCODR1803	53271	GCODR1805	53272	GCODR1808	53273	GCODR1810	53274	GCODR1815
20" Rd Cable Operated Damper	53276	GCODR2003	53277	GCODR2005	53278	GCODR2008	53279	GCODR2010	53280	GCODR2015
22" Rd Cable Operated Damper	53282	GCODR2203	53283	GCODR2205	53284	GCODR2208	53285	GCODR2210	53286	GCODR2215
24" Rd Cable Operated Damper	53288	GCODR2403	53289	GCODR2405	53290	GCODR2408	53291	GCODR2410	53292	GCODR2415

Custom damper sizes and custom cable lengths are available upon request.

Duro Dyne East Division, Bay Shore, NY
 Duro Dyne Midwest Division, Fairfield, OH
 Duro Dyne West Division, Fontana, CA
 Duro Dyne Canada, Lachine, Quebec, Canada
 www.durodyne.com E-mail: durodyne@durodyne.com

631-249-9000 Fax: 631-249-8346
 513-870-6000 Fax: 513-870-6005
 562-926-1774 Fax: 562-926-5778
 514-422-9760 Fax: 514-636-0328



©2015 Duro Dyne Corporation
 Printed in USA 7/15
 BO040008