

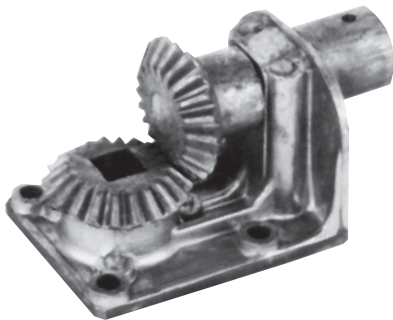
SUBMITTAL RECORD

JOB _____
 LOCATION _____
 SUBMITTED TO _____
 SUBMITTAL PREPARED BY _____
 APPROVED BY _____
 DATE _____

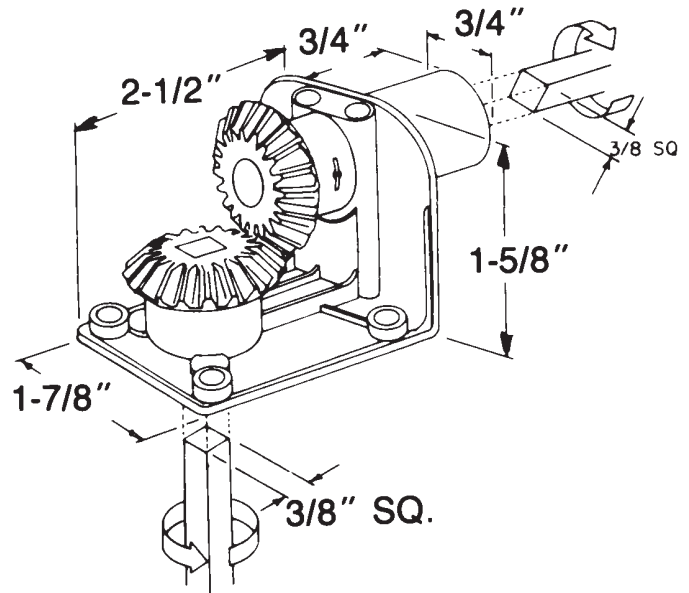


**Submittal Form
 AD38 - 90° ANGLE
 DRIVE**

90° ANGLE DRIVE DIE CAST MITRE GEAR ASSEMBLY



Will accommodate 3/8" square rod from duct



90° ANGLE DRIVE			
ITEM#	MODEL	DESCRIPTION	QUANTITY
8135	AD38	Mitre Gear Assembly	5 Per Ctn

Duro Dyne East Division, Bay Shore, NY
 Duro Dyne Midwest Division, Fairfield, OH
 Duro Dyne West Division, Fontana, CA
 Duro Dyne Canada, Lachine, Quebec, Canada

631-249-9000 Fax: 631-249-8346
 513-870-6000 Fax: 513-870-6005
 562-926-1774 Fax: 562-926-5778
 514-422-9760 Fax: 514-636-0328

www.durodyne.com E-mail: durodyne@durodyne.com



©2014 Duro Dyne Corporation
 Printed in USA 6/14
 BO008416