

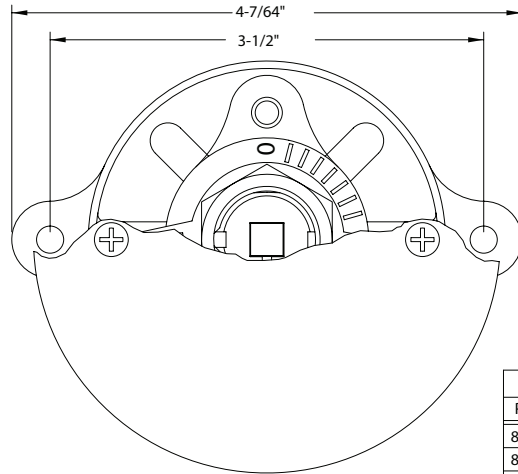
SUBMITTAL RECORD

JOB _____
 LOCATION _____
 SUBMITTED TO _____
 SUBMITTAL PREPARED BY _____
 APPROVED BY _____
 DATE _____

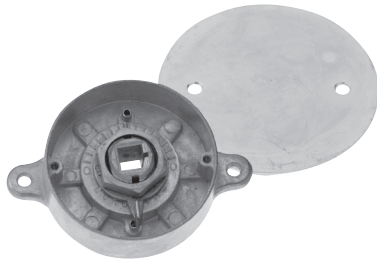
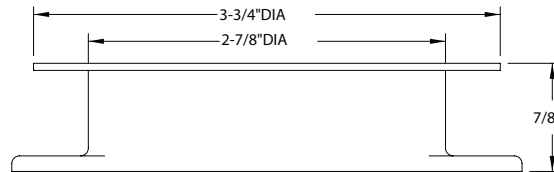


Submittal Form
SPECLINE®
SRC - CONCEALED
STYLE REGULATOR SET

CONCEALED STYLE REGULATOR SET WITH HEX NUT



SPECIFICATIONS		
P/N	MDL#	DESCRIPTION
8007	SRC140	1/4" SHAFT SIZE
8008	SRC380	3/8" SHAFT SIZE
8009	SRC120	1/2" SHAFT SIZE



Attractive cast alloy housing with a corrosion resistant plated cover

CONCEALED			
ITEM#	MODEL	SHAFT SIZE	QUANTITY
8007	SRC140	1/4" sq.	5 Per Ctn
8008	SRC380	3/8" sq.	5 Per Ctn

Duro Dyne East Division, Bay Shore, NY
 Duro Dyne Midwest Division, Fairfield, OH
 Duro Dyne West Division, Fontana, CA
 Duro Dyne Canada, Lachine, Quebec, Canada

631-249-9000 Fax: 631-249-8346
 513-870-6000 Fax: 513-870-6005
 562-926-1774 Fax: 562-926-5778
 514-422-9760 Fax: 514-636-0328

www.durodyne.com E-mail: durodyne@durodyne.com



©2016 Duro Dyne Corporation
 Printed in USA 7/16
 BO008417