

SUBMITTAL RECORD

JOB _____
 LOCATION _____
 SUBMITTED TO _____
 SUBMITTAL PREPARED BY _____
 APPROVED BY _____
 DATE _____

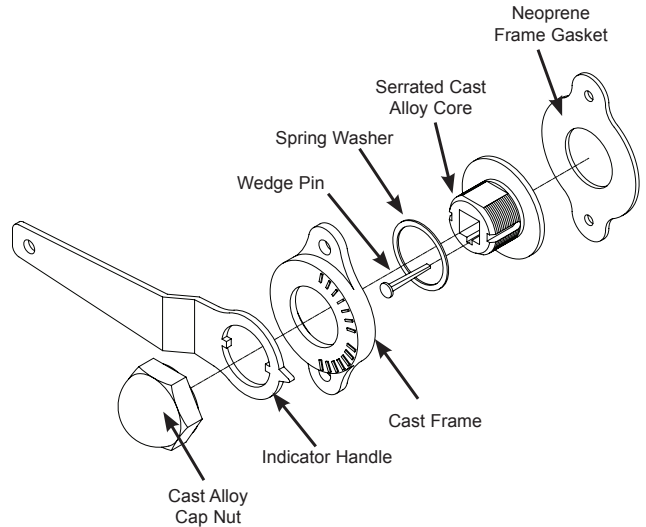


Submittal Form
SPECLINE®
SRHS/SRS INDICATOR
HANDLE STYLE STAMPED
REGULATOR SET

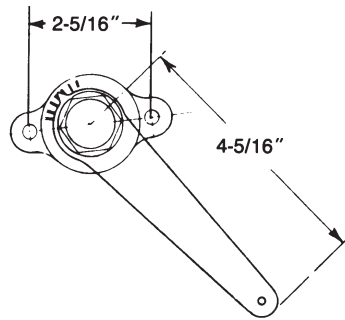
SPECLINE® DAMPER REGULATORS
MINIMUM LEAKAGE DAMPER REGULATORS

Specline Regulators are designed for minimum leakage applications. Each regulator is comprised of a frame, an indicator handle, a serrated cast alloy core and a cast alloy nut. Serrations on the cast alloy core mesh with serrations in the frame to firmly lock the regulator in position. A spring washer situated between the core and the cast frame allows for smooth non-binding adjustment. A wedge pin is used to eliminate rattle and take up slack between the regulator and the damper shaft.

•The SRHS and SRS utilize a stamped frame and include a neoprene frame gasket.



INDICATOR HANDLE STYLE (STAMPED) REGULATOR SET WITH HEX NUT & ACORN NUT



- Stamped Frame
- Heavy Stamped Handle
- Solid Die Cast Core
- Hex Nut

SRHS SERIES HANDLE SET STAMPED			
ITEM# / BULK#	CODE / BULK CODE	SHAFT SIZE & NUT	QTY / BULK QTY
8016	SRHS148	1/4" Hex Nut	10 Per Ctn
8017 / 7376	SRHS388 / SRHS388B	3/8" Hex Nut	10 Per Ctn / 100 Per Ctn
8018	SRHS128	1/2" Hex Nut	10 Per Ctn

SRS SERIES HANDLE SET STAMPED			
ITEM#	MODEL	SHAFT SIZE & NUT	QUANTITY
8022	SRS148	1/4" Acorn Nut	10 Per Ctn
8023	SRS388	3/8" Acorn Nut	10 Per Ctn
8024	SRS128	1/2" Acorn Nut	10 Per Ctn

Duro Dyne East Division, Bay Shore, NY
 Duro Dyne Midwest Division, Fairfield, OH
 Duro Dyne West Division, Fontana, CA
 Duro Dyne Canada, Lachine, Quebec, Canada

631-249-9000 Fax: 631-249-8346
 513-870-6000 Fax: 513-870-6005
 562-926-1774 Fax: 562-926-5778
 514-422-9760 Fax: 514-636-0328

www.durodyne.com E-mail: durodyne@durodyne.com



©2014 Duro Dyne Corporation
 Printed in USA 6/14
 BO008415