

SUBMITTAL RECORD _____
 JOB _____
 LOCATION _____
 SUBMITTED TO _____
 SUBMITTAL PREPARED BY _____
 APPROVED BY _____
 DATE _____



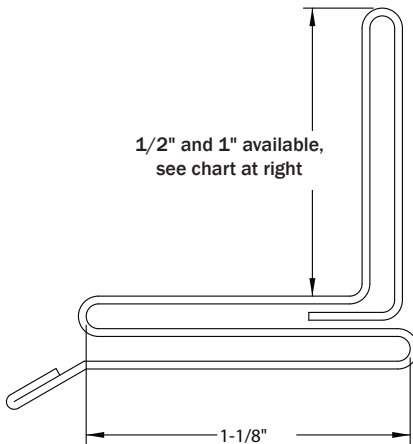
Submittal Form Standing S

- STANDING S -

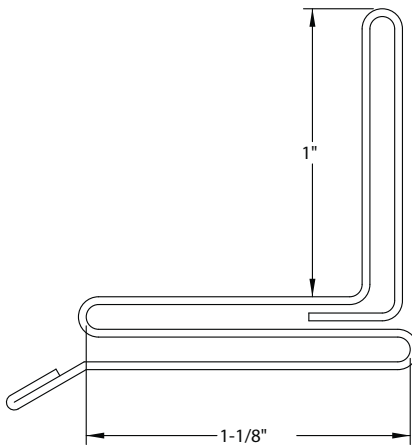


- Designed to reinforce the connection on the wider ductwork applications.
- Available in 5ft. or 10ft. lengths.

Item #	Code	Description
13235	SS-2210	22ga. 1in. Standing S 10ft.
13214	SS-2410	24ga. 1in. Standing S 10ft.
13216	SS12-2405	24ga. 1/2in. Standing S 5ft.
13215	SS-2610	26ga. 1in. Standing S 10ft.
13237	SS-2605	26ga. 1in. Standing S 5ft.
13228	SS12-2610	26ga. 1/2in. Standing S 10ft.
13212	SS12-2605	26ga. 1/2in. Standing S 5ft.
13217	SSSS-2410	300 Stainless Steel Standing S 10ft.
13210	SSAL-2410	Aluminum Standing S 10ft.



- STANDING S - CUT TO LENGTH -



24 GAUGE		
Item #	Code	Description
13129	SS19524	19-1/2in Standing S Lock 1in
13130	SS21524	21-1/2in Standing S Lock 1in
13131	SS23524	23-1/2in Standing S Lock 1in
13132	SS25524	25-1/2in Standing S Lock 1in
13133	SS27524	27-1/2in Standing S Lock 1in
13134	SS29524	29-1/2in Standing S Lock 1in

Duro Dyne East Division, Bay Shore, NY
 Duro Dyne Midwest Division, Hamilton, OH
 Duro Dyne West Division, Fontana, CA
 Duro Dyne Canada, Lachine, Quebec, Canada

631-249-9000 Fax: 631-249-8346
 513-870-6000 Fax: 513-870-6005
 562-926-1774 Fax: 562-926-5778
 514-422-9760 Fax: 514-636-0328

www.durodyne.com E-mail: durodyne@durodyne.com



©2016 Duro Dyne Corporation
 Printed in USA 11/15/16
 BO050026