

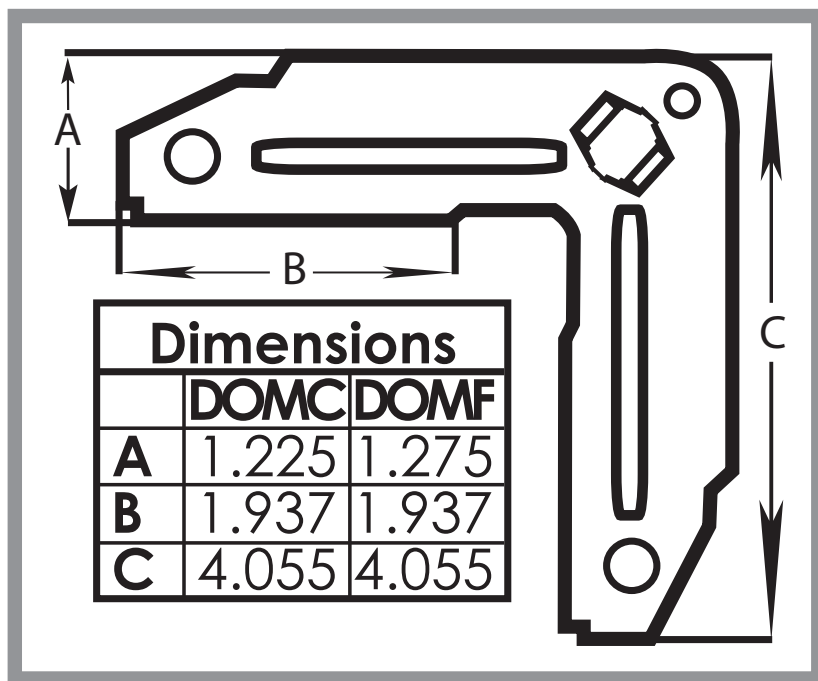
SUBMITTAL RECORD _____
 JOB _____
 LOCATION _____
 SUBMITTED TO _____
 SUBMITTAL PREPARED BY _____
 APPROVED BY _____
 DATE _____



Submittal Form TDC/TDF Corners

TDC/TDF Corners

- DOMC and DOMF corners are manufactured from 16-gauge steel
- Specialty metal gauges may vary.
- Nuts and Bolts are sold separately.



| Item # | Code | Description |
|--------|-----------|---------------------------------------|
| 21254 | DOMC | TDC Corner |
| 21255 | DOMF | TDF Corner |
| 21280 | DDC-SS | TDC Stainless Steel Corner 300 Series |
| 21281 | DDC-AL | TDC Aluminum Corner |
| 21282 | DDF-SS | TDF Stainless Steel Corner 300 Series |
| 21283 | DDF-AL | TDF Aluminum Corner |
| 21284 | DDC-316SS | TDC 316 Stainless Steel Corner |
| 21285 | DDF-316SS | TDF 316 Stainless Steel Corner |

