

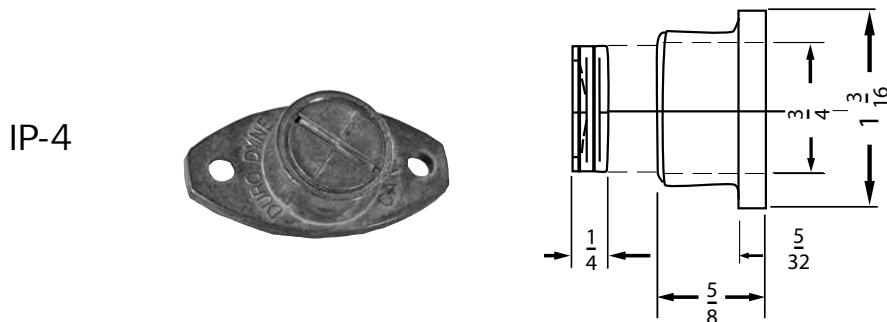
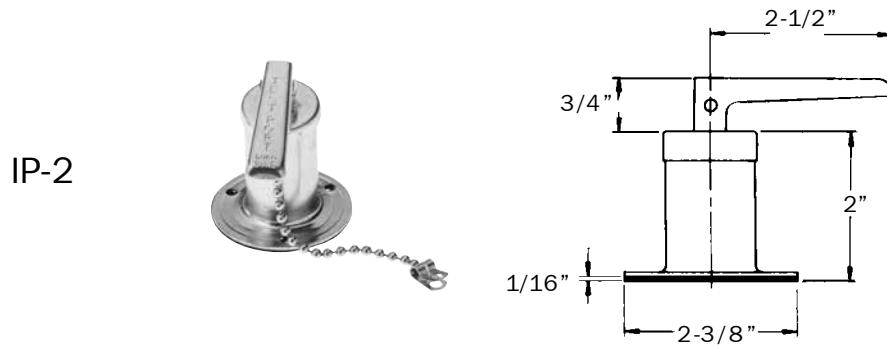
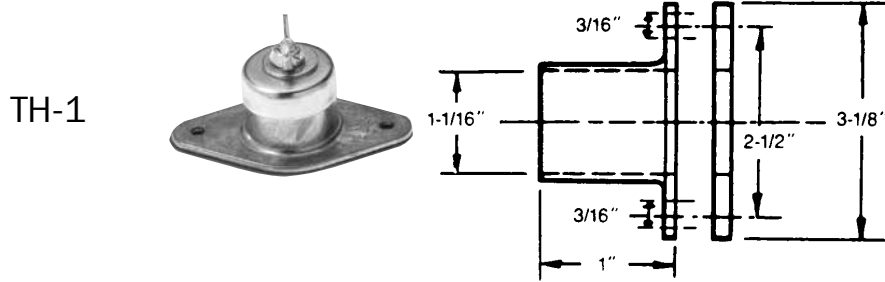
**SUBMITTAL RECORD**

JOB \_\_\_\_\_  
 LOCATION \_\_\_\_\_  
 SUBMITTED TO \_\_\_\_\_  
 SUBMITTAL PREPARED BY \_\_\_\_\_  
 APPROVED BY \_\_\_\_\_  
 DATE \_\_\_\_\_



**Submittal Form**  
**TH, IP -**  
**Instrument Test Ports**

The **Instrument Test Port** has a durable cast zinc alloy construction with a heavy gauge zinc plated cap. Its Neoprene Expansion Plug can withstand up to 180°F and has resisted pressures up to 90 psi when installed. The TH-1 accommodates 1" of insulating materials and has an inside diameter of 1-1/16". The IP-2 accommodates 2" of insulation material and has an inside diameter of 1-1/8". The IP-4 offers a 3/4" diameter access to the air stream. All are designed for high velocity systems. A flat neoprene mounting gasket is supplied. However, for maximum protection against leakage, we recommend using Duro Dyne Red High Temperature Silicone, item #5113.



INSTRUMENT TEST PORTS		
ITEM#	CODE	QTY PER CARTON
8036	TH1	25
8398	IP2	25
8340	IP4	25

Duro Dyne East Division, Bay Shore, NY  
 Duro Dyne Midwest Division, Hamilton, OH  
 Duro Dyne West Division, Fontana, CA  
 Duro Dyne Canada, Lachine, Quebec, Canada

631-249-9000 Fax: 631-249-8346  
 513-870-6000 Fax: 513-870-6005  
 562-926-1774 Fax: 562-926-5778  
 514-422-9760 Fax: 514-636-0328

www.durodyne.com E-mail: durodyne@durodyne.com



©2017 Duro Dyne Corporation  
 Printed in USA 2/17  
 BO008453