

SUBMITTAL RECORD

JOB _____
 LOCATION _____
 SUBMITTED TO _____
 SUBMITTAL PREPARED BY _____
 APPROVED BY _____
 DATE _____

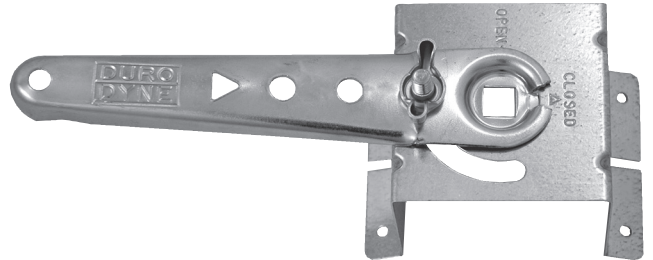


Submittal Form
UESO
Universal Economy
Standoff Regulator

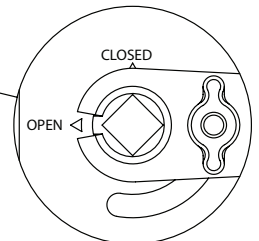
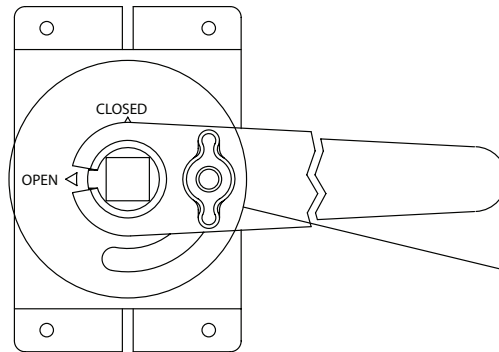
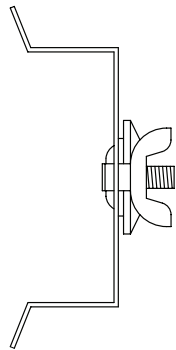
UNIVERSAL ECONOMY STANDOFF REGULATOR

DESCRIPTION

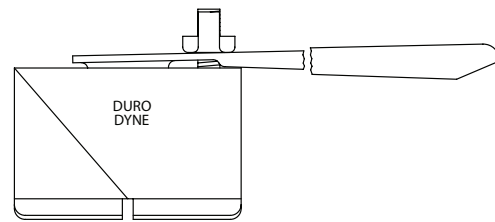
The Universal Economy Standoff Regulator from Duro Dyne is a hand operated elevated regulator designed for use with 1/4 in or 3/8 in square rod on externally insulated duct. The unique 10 degree foot, allows the same regulator to be used on both square or round ductwork, alleviating the need to stock multiple regulators. It is offered in four standoff heights, 1", 1-1/2", 2" & 3". The 16 gauge handle is locked in place with a heavy duty high torque stamped wing nut and clearly shows damper position with embossed designations for open and closed. Reinforcing gussets in four locations add to the rigidity of this regulator. An optional score and Heto Notch allows the UESO to work for multiple damper fitting applications including Hetos.



- Heavy duty universal stand - 24ga
- 10° universal bend for square & round duct
- Heavy duty 16ga ergonomic rolled handle
- Gussets for strength & rigidity
- Heto notch
- Heto cutaway score line



DETAIL-A (HANDLE OPTION)
 (VIEW SHOWN USING 45° HANDLE)



UESO SERIES FOR ROUND AND SQUARE DUCT				
ITEM#	CODE	SHAFT SIZE	STAND HEIGHT	QTY
6369	UESO14-100	1/4" sq.	1"	10 Per Ctn
6370	UESO14-150	1/4" sq.	1-1/2"	10 Per Ctn
6371	UESO14-200	1/4" sq.	2"	10 Per Ctn
6372	UESO14-300	1/4" sq.	3"	10 Per Ctn
3/8" sq. series				
6373	UESO38-100	3/8" sq.	1"	10 Per Ctn
6374	UESO38-150	3/8" sq.	1-1/2"	10 Per Ctn
6375	UESO38-200	3/8" sq.	2"	10 Per Ctn
6376	UESO38-300	3/8" sq.	3"	10 Per Ctn
1/2" sq. series				
6377	UESO12-100	1/2" sq.	1"	10 Per Ctn
6378	UESO12-150	1/2" sq.	1-1/2"	10 Per Ctn
6379	UESO12-200	1/2" sq.	2"	10 Per Ctn
6380	UESO12-300	1/2" sq.	3"	10 Per Ctn

Duro Dyne East Division, Bay Shore, NY
 Duro Dyne Midwest Division, Fairfield, OH
 Duro Dyne West Division, Fontana, CA
 Duro Dyne Canada, Lachine, Quebec, Canada

631-249-9000 Fax: 631-249-8346
 513-870-6000 Fax: 513-870-6005
 562-926-1774 Fax: 562-926-5778
 514-422-9760 Fax: 514-636-0328

www.durodyne.com E-mail: durodyne@durodyne.com



©2016 Duro Dyne Corporation
 Printed in USA 7/16
 BO008465