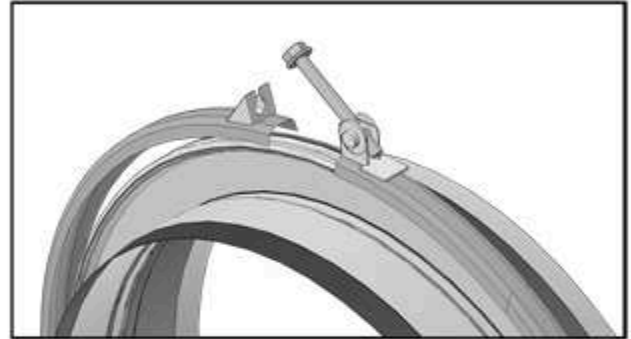


D.C. RING

D.C. Ring

D.C. Ring consists of two flanges and a closure ring. When used in combination with round DuraFlange, the DC Ring allows a single individual to connect duct sections without the use of any additional screws or gasket material.



D.C. Ring is available in the following:

Gauges

18 Gauge

Materials

Aluminum *

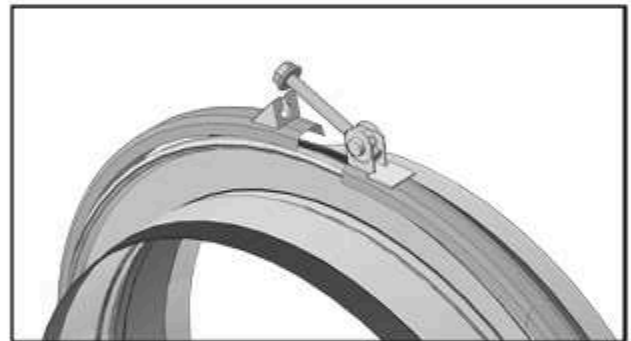
Galvanized

Stainless Steel

Sizes

8" to 36" – Small Profile

12" to 120" – Large Profile



Construction

The D. C. Ring is constructed to meet all types of job specifications, from types of material for the flange to types of material for hardware (all aluminum, all stainless steel, or all other steels). Typical construction for aluminum rings consists of stainless steel hardware due to rigidity, but can be fabricated with all aluminum ring and hardware.

* Aluminum DC Rings are more pliable. Avoid over tightening in order to prevent breaking the connecting bracket.

