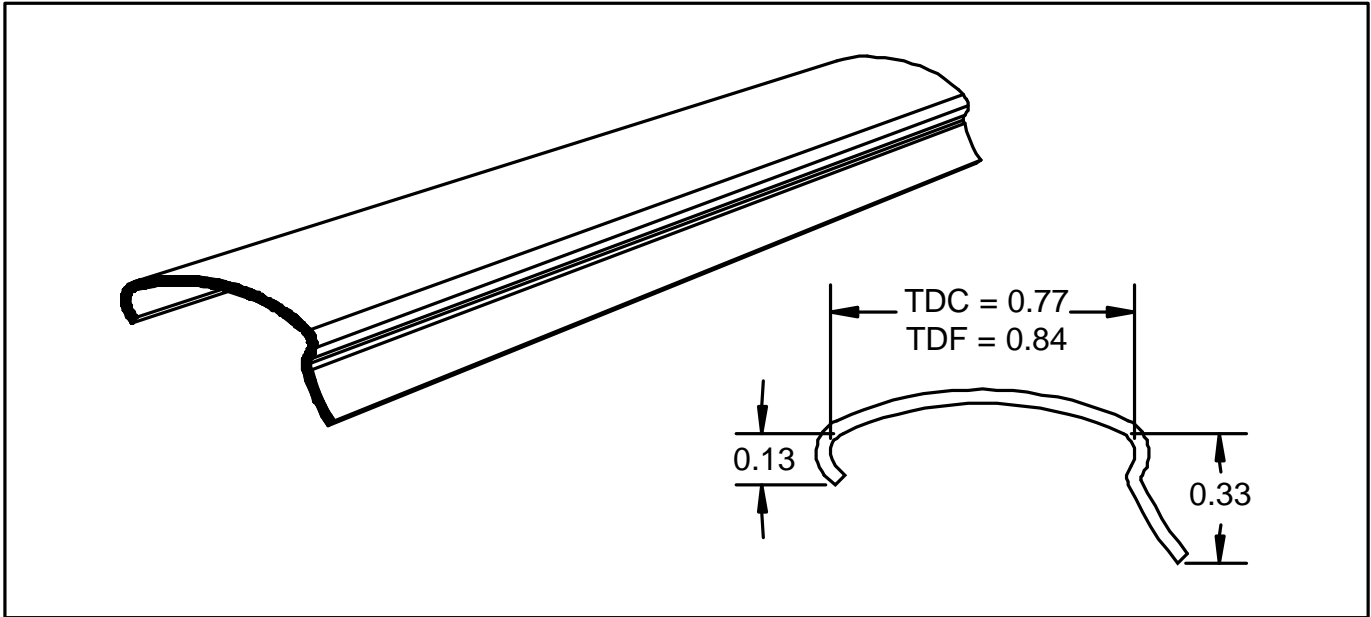




The original transverse duct connectors

MEZ SNAP-ON CLEAT



* Manufactured from 22 Gauge material. Measurements are inside dimensions.

DESCRIPTION

Mez Snap-On Cleat may be snapped on, but for faster and proper installation, Mez Snap-On Cleat should be installed utilizing the Mez Cleater Tool to save approximately 15 ~ 20 % on installation time.

BASIC USE

Mez Snap-On Cleat is to be used in conjunction with Mez 120 and 130 Systems as well as TDC and TDF Flanges. Please refer to the installation manual for a detailed description of spacing and proper usage.

AVAILABLE MATERIALS

GALVANIZED, GALVALUM, PVC COATED, STAINLESS 304L, ALUMINIZED

AVAILABLE SIZES / SHIPPING QUANTITY

PART #	APPLICABLE SYSTEMS	GAUGE	LENGTH	QUANTITY	WEIGHT
330ACMC	Mez 120 / 130 Systems, TDC Flange	22 GA	6"	500 / Box	48 lbs / Box
330AFMC	TDF Flange	22 GA	6"	500 / Box	49 lbs / Box