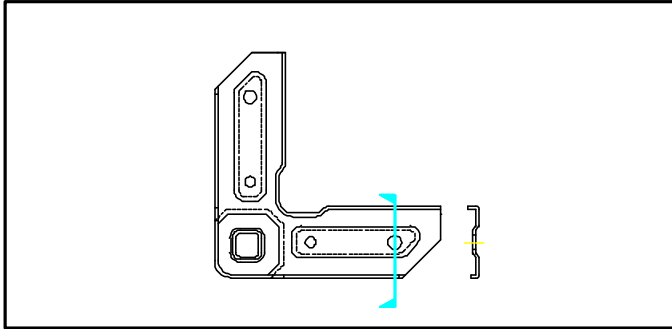


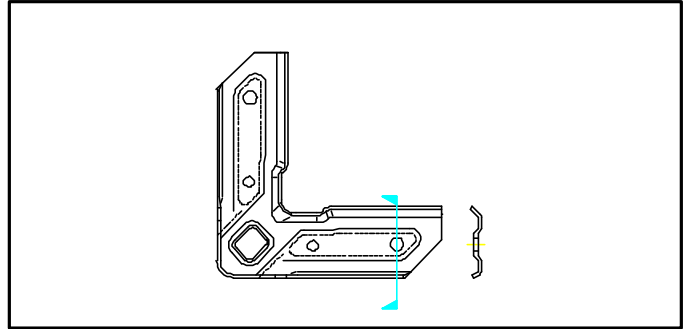


The original transverse duct connectors

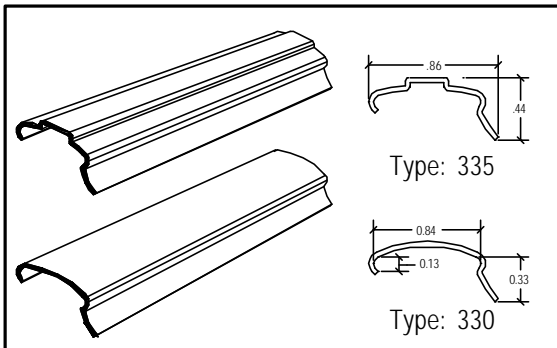
MEZ TDF ACCESSORIES



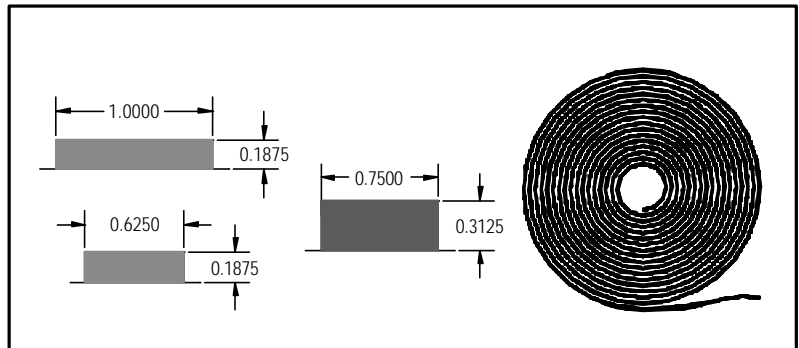
MEZ - F CORNER



MEZ - AF CORNER



MEZ SNAP-ON CLEATS



BUTYL & NEOPRENE GASKETS

TDF COMPONENTS & PARTS INFORMATION

CORNER TYPE

- MEZ-F** **MEZ TDF Corner**
[w/ continuous 90° walls for strength & rigidity]
- MEZ-AF** **MEZ TDF Angled Corner**
[w/ continuous angled walls for easy installation]

CLEAT TYPE

- 330AFMC** **MEZ Snap-On Cleat for TDF**
[22 GA, 500/box @ 49 lbs.]
- 335AFMC** **MEZ Snap-On Cleat for TDF**
[22 GA, 500/box @ 49 lbs.]

GASKETS

- 400BTL** **120/130 Butyl Gasket**
[3/16" x 5/8" @ 25'/roll]
- 401BTL** **140 Butyl Gasket**
[3/16" x 1" @ 25'/roll]
- 409NPE** **Neoprene Gasket**
[5/16" x 3/4" @ 50'/roll]

AVAILABLE MATERIALS FOR CORNERS & CLEATS

GALVANIZED, GALVALUM, PVC COATED, STAINLESS 304L, ALUMINIZED