

FyreWrap® DPS Insulation Dryer Protection System

Introduction

Unifrax's FyreWrap® DPS Insulation is a high-temperature insulation blanket specifically designed, UL tested and certified to provide a single layer, one-hour rated flexible enclosure around dryer and residential kitchen exhaust ductwork.

Dryer Exhaust Applications

FyreWrap DPS is an innovative product that provides a safe and cost-effective means to achieve a one-hour fire resistance rated zero clearance enclosure for routing dryer ductwork, from start to finish, through rated wood truss/joint construction as prescribed by the International Building and Mechanical Codes.

FyreWrap DPS Insulation offers the following product features:

- Lightweight, flexible product form
- Scrim encapsulated
- Easy to cut, fabricate, wrap around ducts, pipes or cables
- Thin, single-layer design
- High-temperature, low biopersistence fiber

Product Components

Core Material: FyreWrap DPS Insulation incorporates Insulfrax® Thermal Insulation as its core material. Insulfrax is a high-temperature insulation made from a calcia, magnesia, silica chemistry designed to enhance biosolubility. It provides excellent insulation in a noncombustible blanket product form.



FyreWrap® DPS Insulation – Dryer Protection System

Encapsulating Material: The core insulation blanket is completely encapsulated in an aluminum foil, fiberglass reinforced scrim covering. This scrim provides additional handling strength as well as protection from moisture absorption and tearing.

Typical Product Parameters

Thickness	1/2"
Density	8pcf
Covering	Scrim Encapsulated
Product Availability	16"w x 25LF 24"w x 25LF 26"w x 25LF 48"w x 25LF

Typical System Properties

ISO 6944
UL 1479 (ASTM E814), CAN/ULC S115
Intertek Laboratories (OPL) Listed
ASTM E136 Noncombustibility Test
ASTM E84, UL 723, ULC S102.2

UL Assembly No. V-32, ULC Assembly No. FRD-29
UL Assembly Nos. F-C-7057, F-C-7058
Applied Fire Protection, File 16341-3
Passes

UL File No. R14514

Unfaced Blanket Encapsulated

Flame Spread Rating:
Smoke Developed Rating:

Zero <25
Zero <50



Data are average results of tests conducted under standard procedures and are subject to variation. Results should not be used for specification purposes.

Refer to the product Safety Data Sheet (SDS) No. M0456 for recommended work practices and other product safety information.

Installation

FyreWrap DPS Insulation consists of a single-layer system applied directly on to the surface of the duct or combustible item.

Dryer Applications

Install the insulation around the duct to provide a 1" longitudinal compression joint or overlap. Adjacent pieces of insulation should be installed with a 1" perimeter compression joint or material overlap. The 16" width DPS product facilitates linear installation around 4" diameter dryer ductwork without material cutting or scrap. The same technique can be used with wrapping 26" wide FyreWrap DPS on 7" diameter dryer ductwork. To temporarily secure the insulation, optional use of foil tape is permitted. Seal all cut edges with aluminum foil tape to ensure there is no

exposed fiber. 18 gauge steel tie wire should be utilized for permanent attachment. Locate the wire ½" from the blanket edge and on maximum 12" centers. Twist tension the wire to firmly hold the wrap system in place, but not so tight as to cut or damage the blanket. Installation details are provided below for additional illustration.

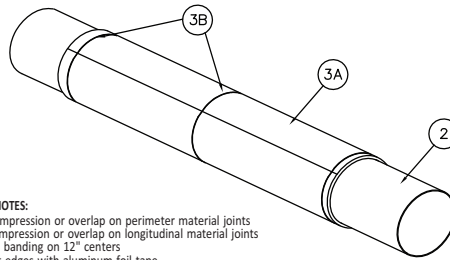
Unifrax has a wide range of FyreWrap fire protection materials available to provide passive fire protection solutions in a variety of applications in the commercial building, industrial facility and transportation industries.

For additional information about product performance or for assistance identifying the recommended product for your fire protection application, please contact Unifrax at 716-768-6500 and ask for Fire Protection Application Engineering.

FyreWrap® DPS – Dryer Protection System

FP-950

Figure 1: Max. 7" Dryer Duct, 1-Hour Enclosure

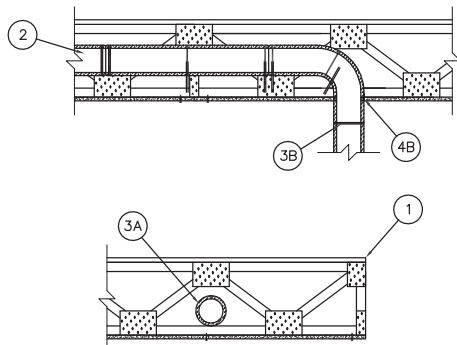


INSTALLATION NOTES:

- Min. 1" compression or overlap on perimeter material joints
- Min. 1" compression or overlap on longitudinal material joints
- Tie wire or banding on 12" centers
- Seal all cut edges with aluminum foil tape

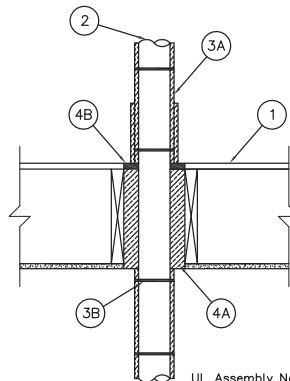
UL Assembly No. V-32

Figure 2: UL Tested 1-Hour Membrane Penetration



UL Assembly No. F-C-7058

Figure 3: UL Tested 1-Hour Dryer Duct System



UL Assembly Nos. V-32, F-C-7057

INSTALLATION NOTES:

- Min. 1" compression or overlap on perimeter material joints
- Min. 1" compression or overlap on longitudinal material joints
- Tie wire or banding on 12" centers
- Seal all cut edges with aluminum foil tape

Legend:

1	1 Hr. UL Listed Floor/Ceiling Assembly
2	Max. 7" Dia. 30 ga. or 10" x 4" 26 ga. Duct
3A	FyreWrap® DPS Insulation, One Layer
3B	Min. 18 Gauge Steel Tie Wire or Banding
4A	FyreWrap Blanket (Foil Removed) Packed into Annular Space
4B	Fire Stop Sealant (STI SSS/LCI, HILTI FS-ONE, TREMCO FYRE-SIL)